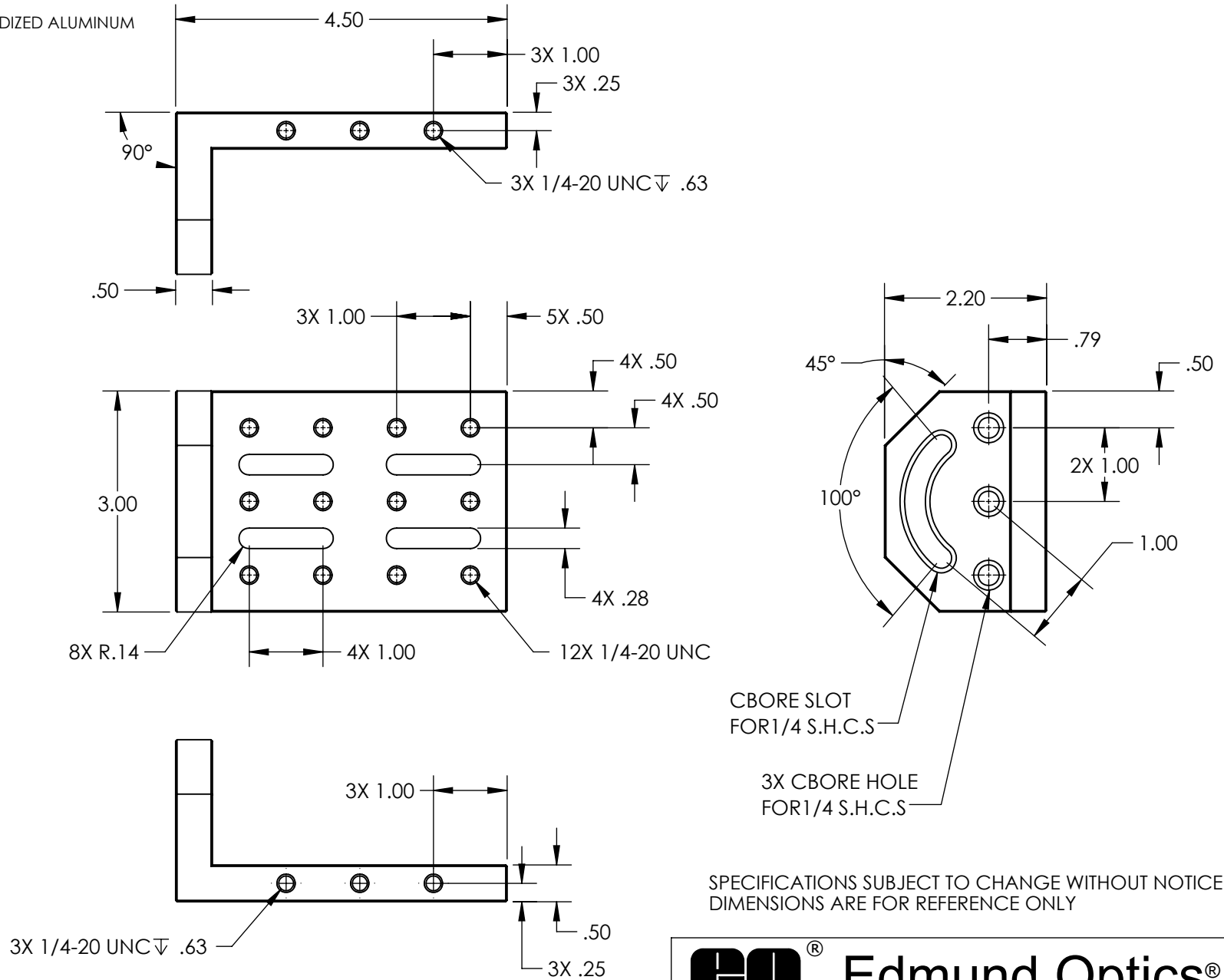


NOTES:

- 1. MATERIAL: BLACK ANODIZED ALUMINUM
- 2. RoHS: COMPLIANT



SPECIFICATIONS SUBJECT TO CHANGE WITHOUT NOTICE
DIMENSIONS ARE FOR REFERENCE ONLY

**FOR INFORMATION ONLY:
DO NOT MANUFACTURE
PARTS TO THIS DRAWING**



THIRD ANGLE PROJECTION		TITLE	ROTATABLE ANGLE BRACKET	
ALL DIMS IN	in	DWG NO	56666	SHEET 1 OF 1