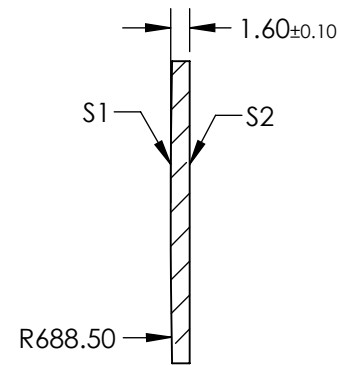
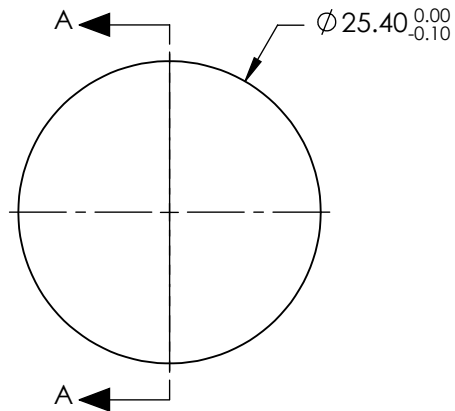


NOTES:

1. SUBSTRATE: IR GRADE FUSED SILICA
2. COATING:
S1 & S2: NONE
3. CENTERING: < 3 ARCMIN
4. RoHS: COMPLIANT


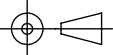
**FOR INFORMATION ONLY:
DO NOT MANUFACTURE
PARTS TO THIS DRAWING**



SECTION A-A

SPECIFICATIONS SUBJECT TO CHANGE WITHOUT NOTICE
DIMENSIONS ARE FOR REFERENCE ONLY

| | S1 | S2 |
|-----------------|----------------------|----------------------|
| SHAPE | CONVEX | PLANO |
| SURFACE QUALITY | 20-10 | 20-10 |
| CLEAR APERTURE | Ø22.86 | Ø22.86 |
| BEVEL | PROTECTIVE AS NEEDED | PROTECTIVE AS NEEDED |

| | | | |
|--------------------------------------------------------------------------------------------------------------|----|-------------------------------------------------------------------------------------------------------------|----------------------------------------------------------------------|
| EFL: 1501.75 mm | |  Edmund Optics® | |
| BFL: 1500.65 mm | | | |
|  THIRD ANGLE PROJECTION | | TITLE | 25.4mm Diameter x 1500mm FL, Uncoated, IR Ultrafast Thin PCX Lens |
| ALL DIMS IN | mm | DWG NO | 11709 |
| | | | SHEET 1 OF 1 |