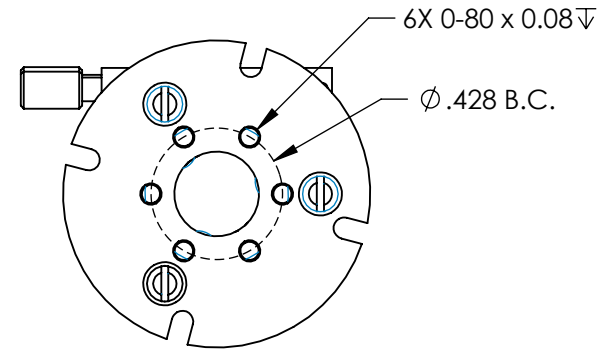
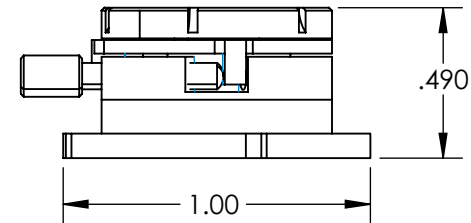
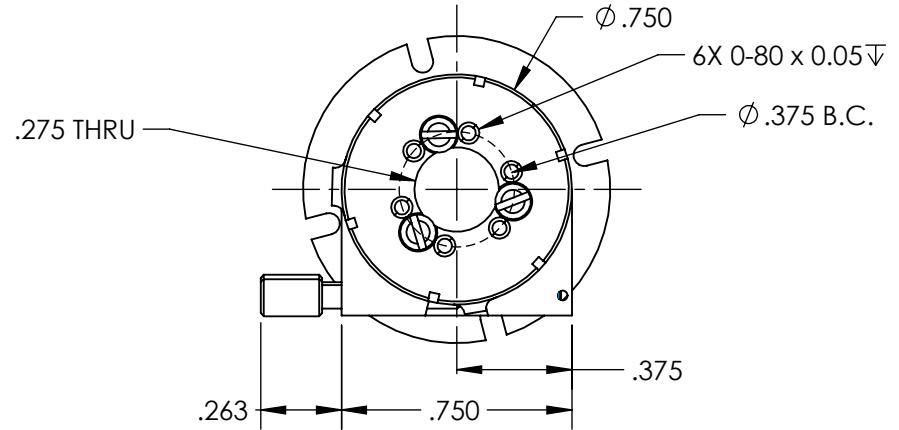


NOTES:

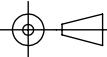
1. TYPE OF MOVEMENT: Rotary
TRAVEL (°): 360.00
2. TYPE OF DRIVE: Fine Screw: No Graduations
3. LOAD CAPACITY, VERTICAL (kg): 0.17
LOAD CAPACITY, NORMAL (kg): 0.2
4. RESOLUTION (arcsec): 15.00
5. LEADSCREW PITCH(mm): 80.00
PITCH: 80 TPI screw pitch
6. COARSE ROTATION (°): 360.00
FINE ROTATION (°): 17.00



SPECIFICATIONS SUBJECT TO CHANGE WITHOUT NOTICE
DIMENSIONS ARE FOR REFERENCE ONLY

**FOR INFORMATION ONLY:
DO NOT MANUFACTURE
PARTS TO THIS DRAWING**

EO[®] Edmund Optics[®]

THIRD ANGLE PROJECTION 		TITLE	Micro Manual Rotary Stage	
ALL DIMS IN	in	DWG NO	56572	SHEET 1 OF 1