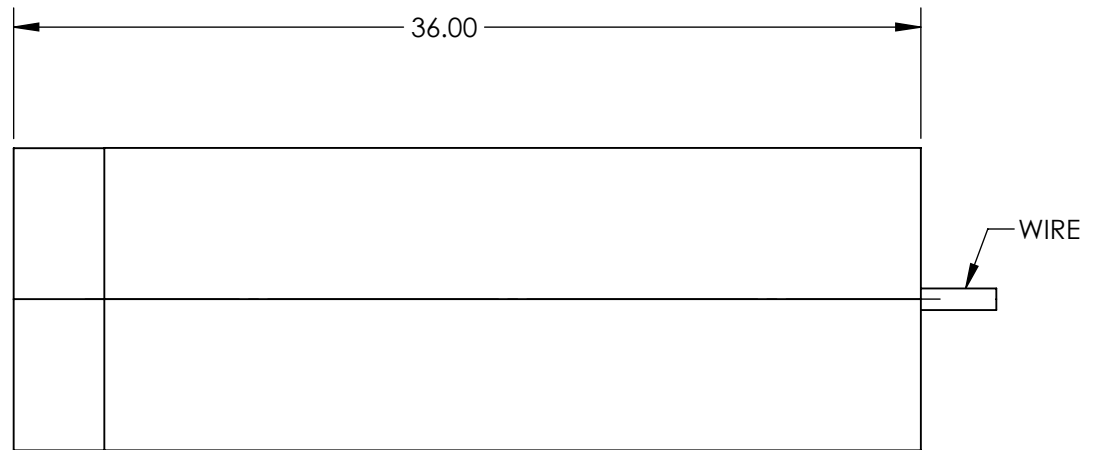
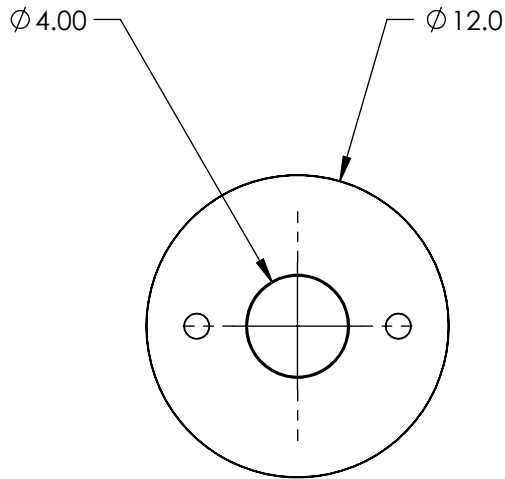
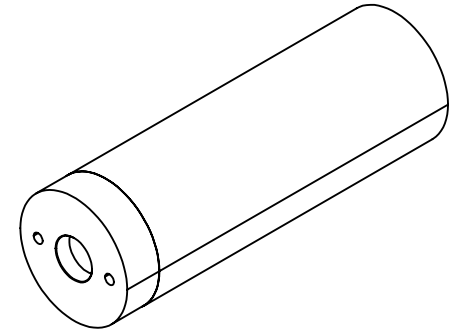


NOTES:

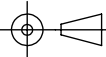
1. LASER CLASS:  
IIIb
2. BEAM DIAMETER(mm): 3 x 1 Typical  
BEAM DIVERGENCE: Major Axis: 0.4 Minor Axis: 0.2 mrad
3. MODULATION FREQUENCY: 0 - 10 kHz
4. OPERATING TEMPERATURE: -10 to 50 °C  
OPERATING VOLTAGE: 5 V
5. OUTPUT POWER: 10 mW
6. WAVELENGTH RANGE: 780 ±5 nm



SPECIFICATIONS SUBJECT TO CHANGE WITHOUT NOTICE  
DIMENSIONS ARE FOR REFERENCE ONLY

**FOR INFORMATION ONLY:  
DO NOT MANUFACTURE  
PARTS TO THIS DRAWING**

**EO**® Edmund Optics®

THIRD ANGLE PROJECTION 		TITLE	10mW, 780nm Alignment Laser Diode	
ALL DIMS IN	mm	DWG NO	37037	SHEET 1 OF 1