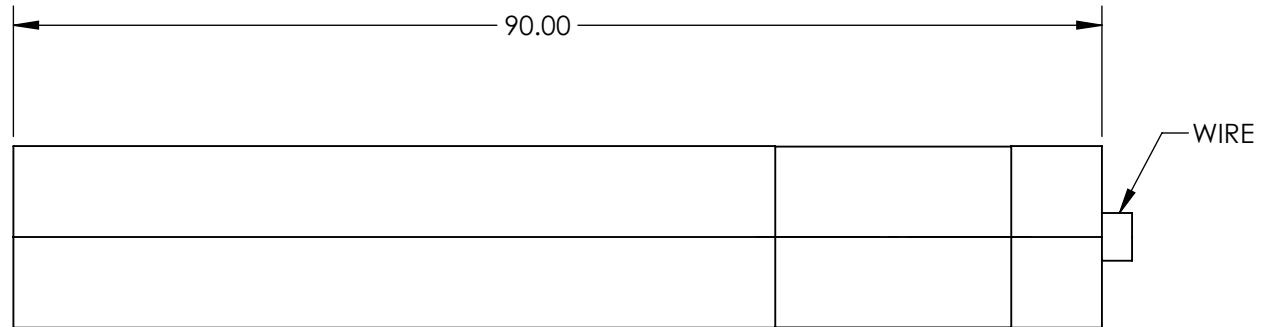
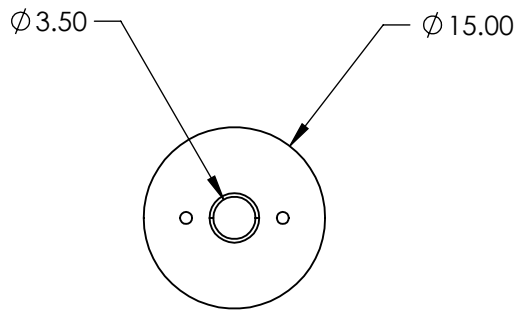
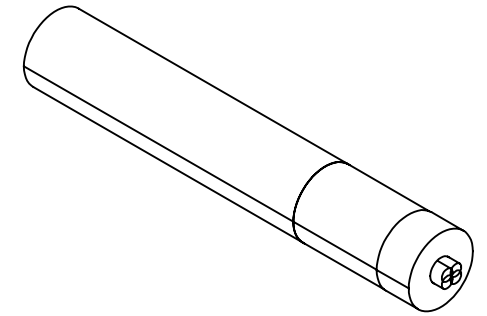


NOTES:

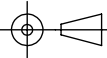
1. LASER CLASS: IIIa  
SPATIAL MODE: TEM00
2. BEAM DIAMETER(mm): 1.0 Typical  
BEAM DIVERGENCE(mrad): <1 Typical
3. MODULATION FREQUENCY: 0 - 10 kHz
4. OPERATING TEMPERATURE: 15 to 35 °C  
OPERATING VOLTAGE: 5.0 V
5. OUTPUT POWER: 5 mW
6. WAVELENGTH RANGE: 532 ±1 nm



SPECIFICATIONS SUBJECT TO CHANGE WITHOUT NOTICE  
DIMENSIONS ARE FOR REFERENCE ONLY

**FOR INFORMATION ONLY:  
DO NOT MANUFACTURE  
PARTS TO THIS DRAWING**

**EO**® Edmund Optics®

THIRD ANGLE PROJECTION 	TITLE	5mW, 532nm Fixed Focus DPSS Alignment Laser		
	ALL DIMS IN	mm	DWG NO	37027