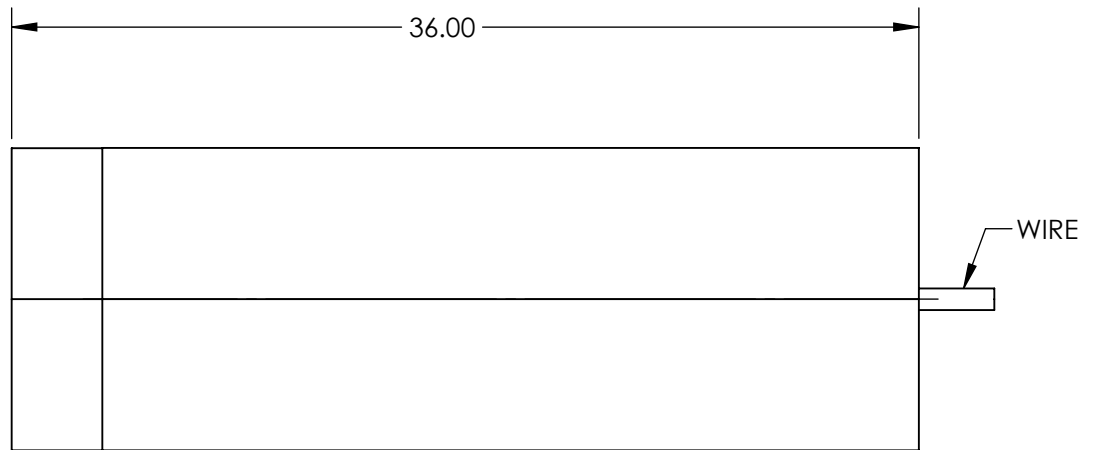
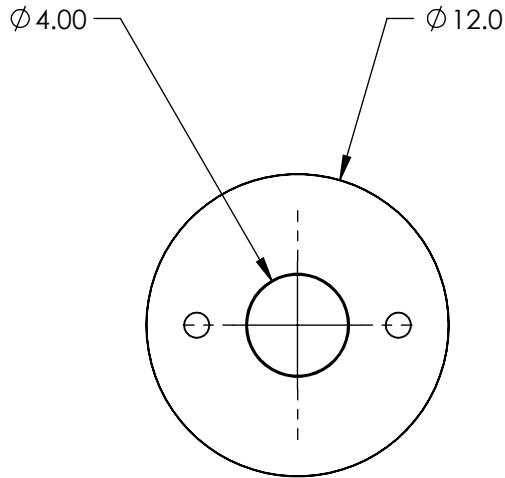
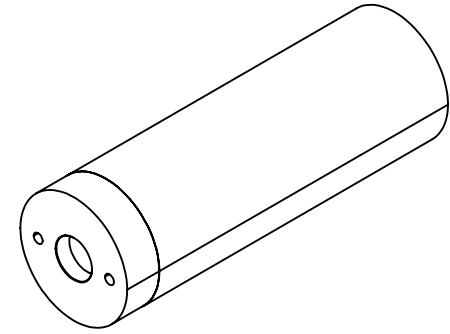


NOTES:

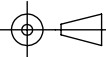
1. LASER CLASS:
IIIb
2. BEAM DIAMETER(mm): 3.5 Typical
BEAM DIVERGENCE: <0.5 mrad
3. MODULATION FREQUENCY: 0 - 10 kHz
4. OPERATING TEMPERATURE: 15 to 30 °C
OPERATING VOLTAGE: 5V
5. OUTPUT POWER: 1mW
6. WAVELENGTH RANGE: 405±5 nm



SPECIFICATIONS SUBJECT TO CHANGE WITHOUT NOTICE
DIMENSIONS ARE FOR REFERENCE ONLY

**FOR INFORMATION ONLY:
DO NOT MANUFACTURE
PARTS TO THIS DRAWING**

EO® Edmund Optics®

THIRD ANGLE PROJECTION 		TITLE	1mW, 405nm Violet and Blue Alignment Laser Diode Modules	
ALL DIMS IN	mm	DWG NO	37023	SHEET 1 OF 1