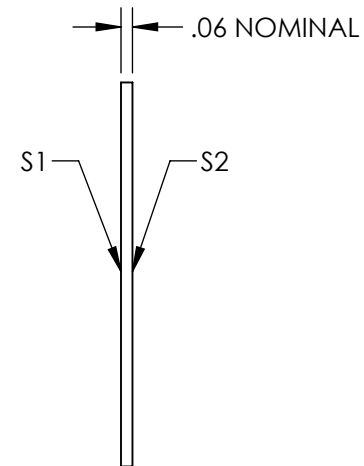
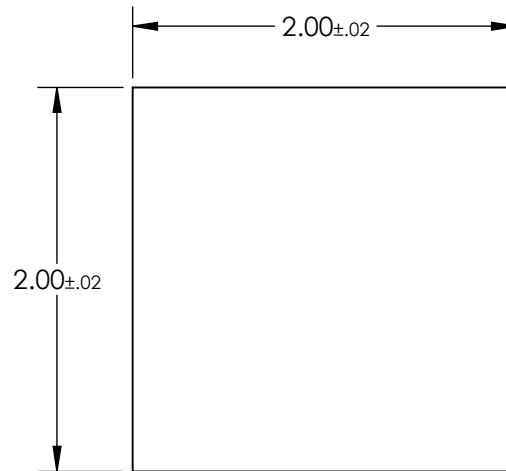
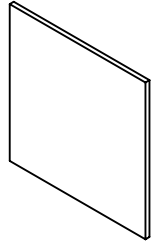


NOTES:

1. SUBSTRATE: FLOAT GLASS
2. LINE PAIR PATTERN: 20lp/mm
3. PARALLELISM:
 LINE TO LINE: ≤ 2 ARCSEC
 PATTERN TO SUBSTRATE: $\pm 1^\circ$
4. COATING:
 S1: VACUUM DEPOSITED CHROME, OD > 3.0
 REFLECTION: $50\% \pm 5\%$ @ 550nm

 S2: NONE
5. RoHS: COMPLIANT



**FOR INFORMATION ONLY:
 DO NOT MANUFACTURE
 PARTS TO THIS DRAWING**

SPECIFICATIONS SUBJECT TO CHANGE WITHOUT NOTICE
 DIMENSIONS ARE FOR REFERENCE ONLY

EO® Edmund Optics®

| | VALUE |
|------------------|----------------------|
| SHAPE | PLANO |
| SURFACE QUALITY | 20-10 |
| SURFACE FLATNESS | 1λ |
| BEVEL | PROTECTIVE AS NEEDED |



ALL DIMS IN

in

TITLE

2" x 2" (20 lp/mm), Ronchi Ruling

DWG NO

58784

SHEET
1 OF 1