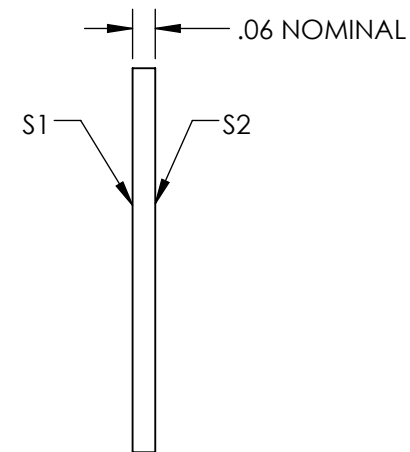
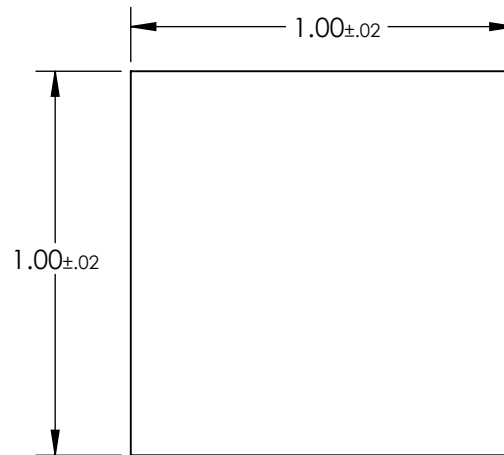
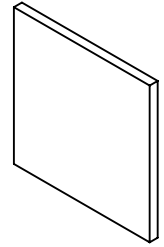


NOTES:

1. SUBSTRATE: FLOAT GLASS
2. LINE PAIR PATTERN: 20lp/mm
3. PARALLELISM:  
 LINE TO LINE:  $\leq 2$  ARCSEC  
 PATTERN TO SUBSTRATE:  $\pm 1^\circ$
4. COATING:  
 S1 & S2:  
 VACUUM DEPOSITED CHROME, OD > 3.0
5. RoHS: COMPLIANT

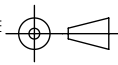


**FOR INFORMATION ONLY:  
 DO NOT MANUFACTURE  
 PARTS TO THIS DRAWING**

SPECIFICATIONS SUBJECT TO CHANGE WITHOUT NOTICE  
 DIMENSIONS ARE FOR REFERENCE ONLY

**EO**® Edmund Optics®

	S1	S2
SHAPE	PLANO	PLANO
SURFACE QUALITY	60-40	60-40
SURFACE FLATNESS	1λ	1λ
BEVEL	PROTECTIVE AS NEEDED	PROTECTIVE AS NEEDED

THIRD ANGLE PROJECTION 

ALL DIMS IN in

TITLE	1" x 1" (20 lp/mm), Ronchi Ruling	
DWG NO	58777	SHEET 1 OF 1