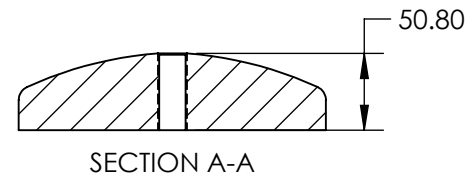
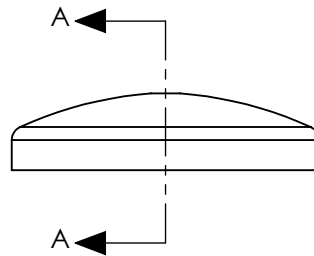
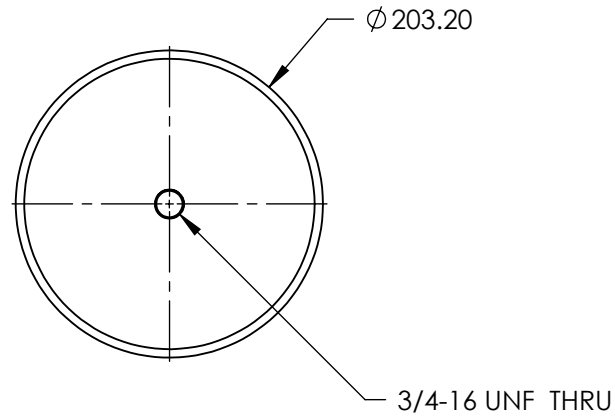


NOTES:

1. CONSTRUCTION:  
ZINC ALLOY
2. WEIGHT: 17.00 lbs



SPECIFICATIONS SUBJECT TO CHANGE WITHOUT NOTICE  
DIMENSIONS ARE FOR REFERENCE ONLY

**FOR INFORMATION ONLY:  
DO NOT MANUFACTURE  
PARTS TO THIS DRAWING**

**EO**® Edmund Optics®

THIRD ANGLE PROJECTION		TITLE	CIRCULAR BASE	
ALL DIMS IN	mm	DWG NO	39345	SHEET 1 OF 1