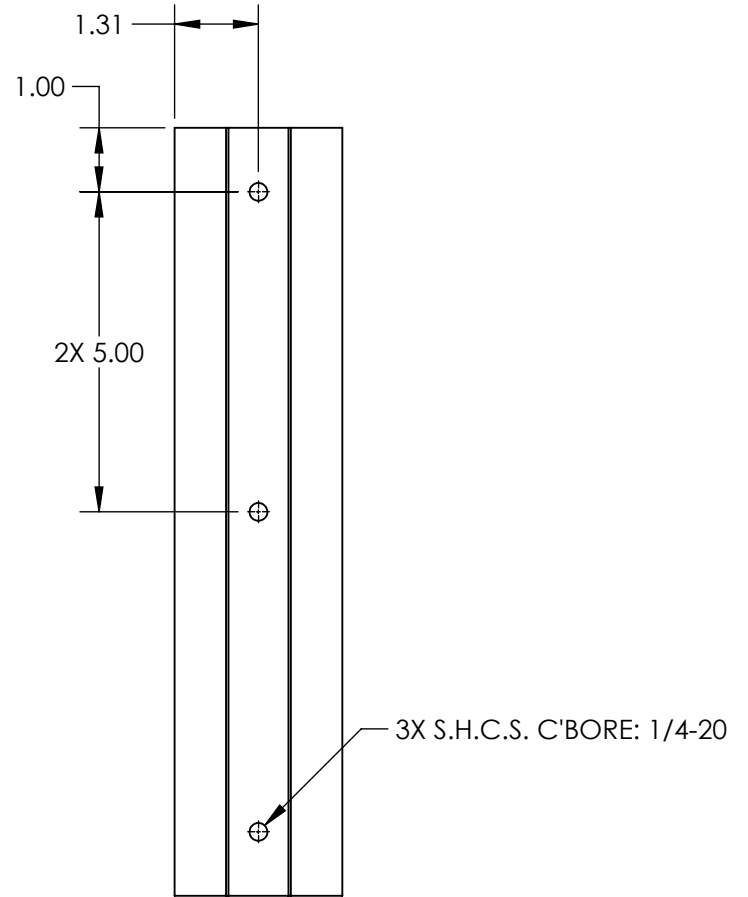
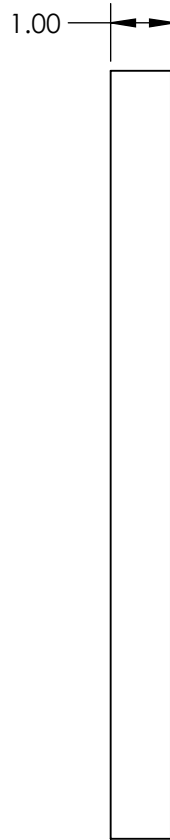
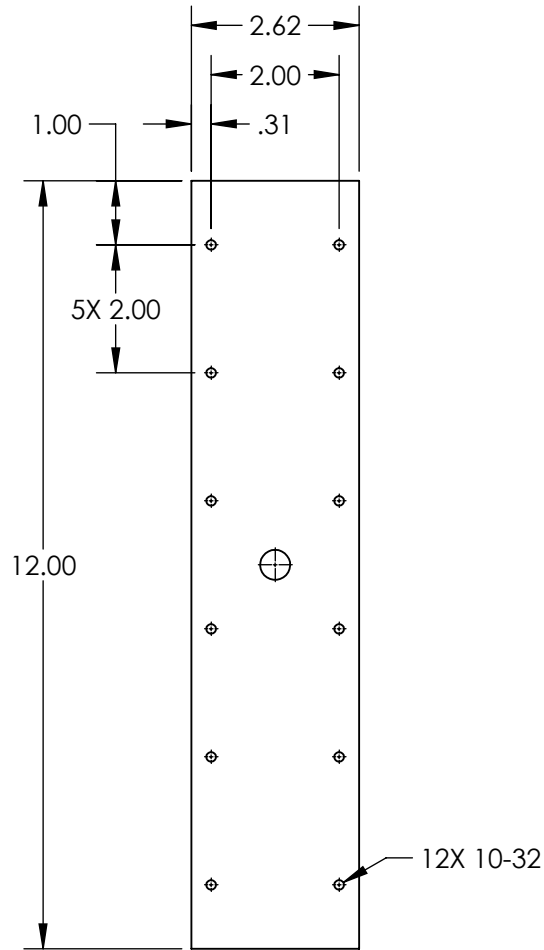


NOTES:

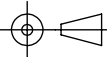
- MATERIAL:
STAINLESS STEEL AND BLACK ANODIZED ALUMINUM



SPECIFICATIONS SUBJECT TO CHANGE WITHOUT NOTICE
DIMENSIONS ARE FOR REFERENCE ONLY

**FOR INFORMATION ONLY:
DO NOT MANUFACTURE
PARTS TO THIS DRAWING**

EO® Edmund Optics®

THIRD ANGLE PROJECTION 		TITLE	9" Travel, 12"L x 2"W Ball Bearing Slide	
ALL DIMS IN	in	DWG NO	37367	SHEET 1 OF 1