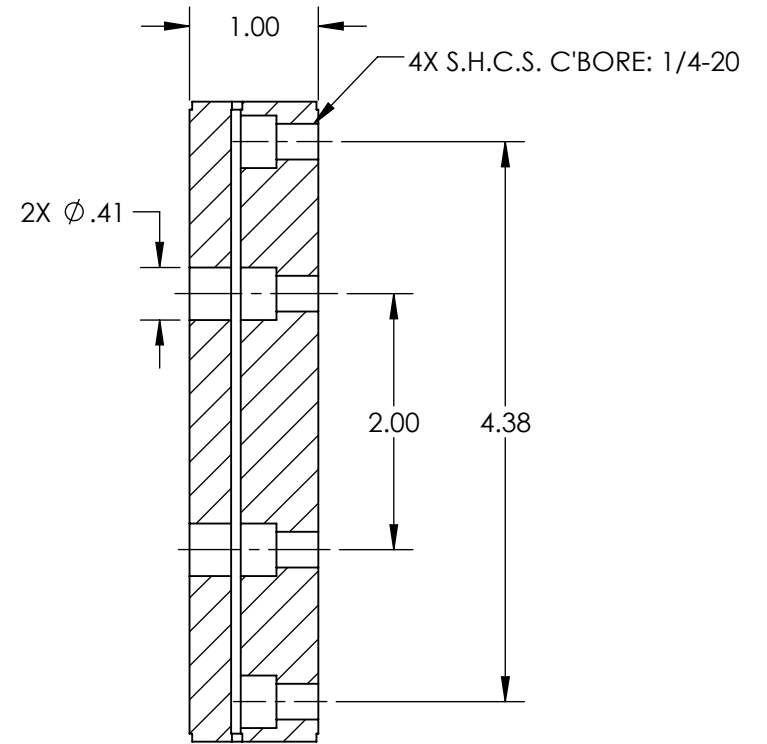
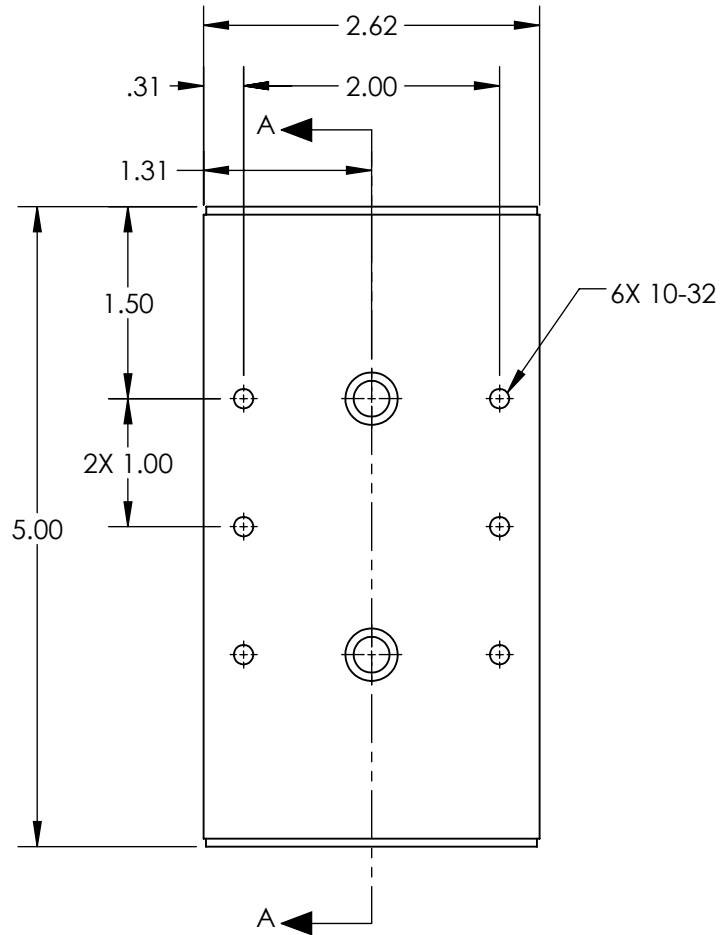


NOTES:

- MATERIAL:  
STAINLESS STEEL AND BLACK ANODIZED ALUMINUM

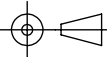


SECTION A-A

SPECIFICATIONS SUBJECT TO CHANGE WITHOUT NOTICE  
DIMENSIONS ARE FOR REFERENCE ONLY

**FOR INFORMATION ONLY:  
DO NOT MANUFACTURE  
PARTS TO THIS DRAWING**

**EO**® Edmund Optics®

THIRD ANGLE PROJECTION 		TITLE	3" Travel, 5"L x 1.19"W Ball Bearing Slide	
ALL DIMS IN	in	DWG NO	37364	SHEET 1 OF 1