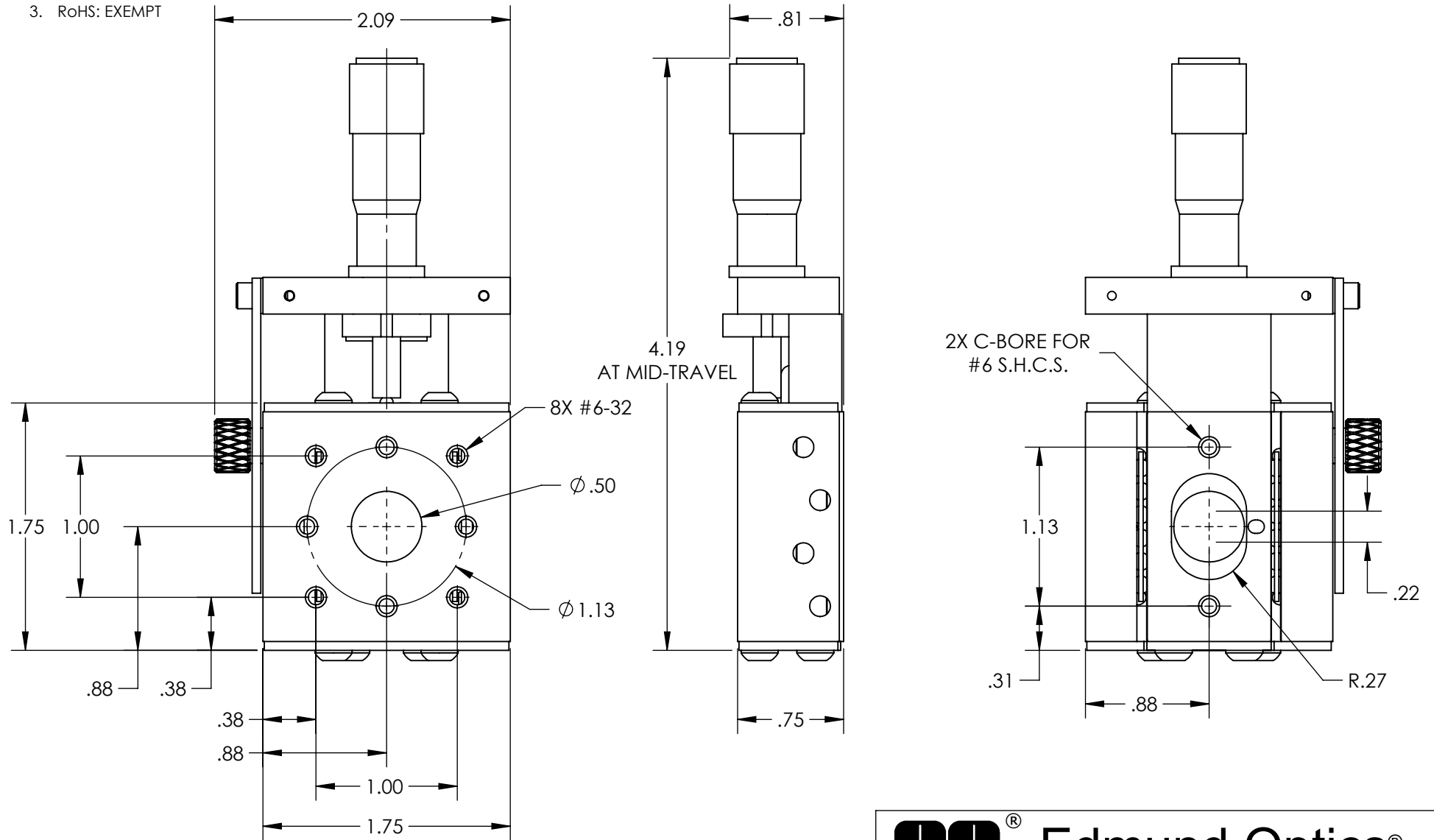


NOTES:

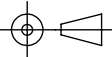
1. MATERIAL: STAINLESS STEEL AND BLACK ANODIZED ALUMINUM
2. MAX TRAVEL DISTANCE: .5in
3. RoHS: EXEMPT



**FOR INFORMATION ONLY:  
DO NOT MANUFACTURE  
PARTS TO THIS DRAWING**

SPECIFICATIONS SUBJECT TO CHANGE WITHOUT NOTICE  
DIMENSIONS ARE FOR REFERENCE ONLY

**EO**® Edmund Optics®

THIRD ANGLE PROJECTION 		TITLE	0.5" TRAVEL, ENG MICROMETER, THRU-HOLE BALL BEARING STAGE	
ALL DIMS IN	in	DWG NO	33466	SHEET 1 OF 1