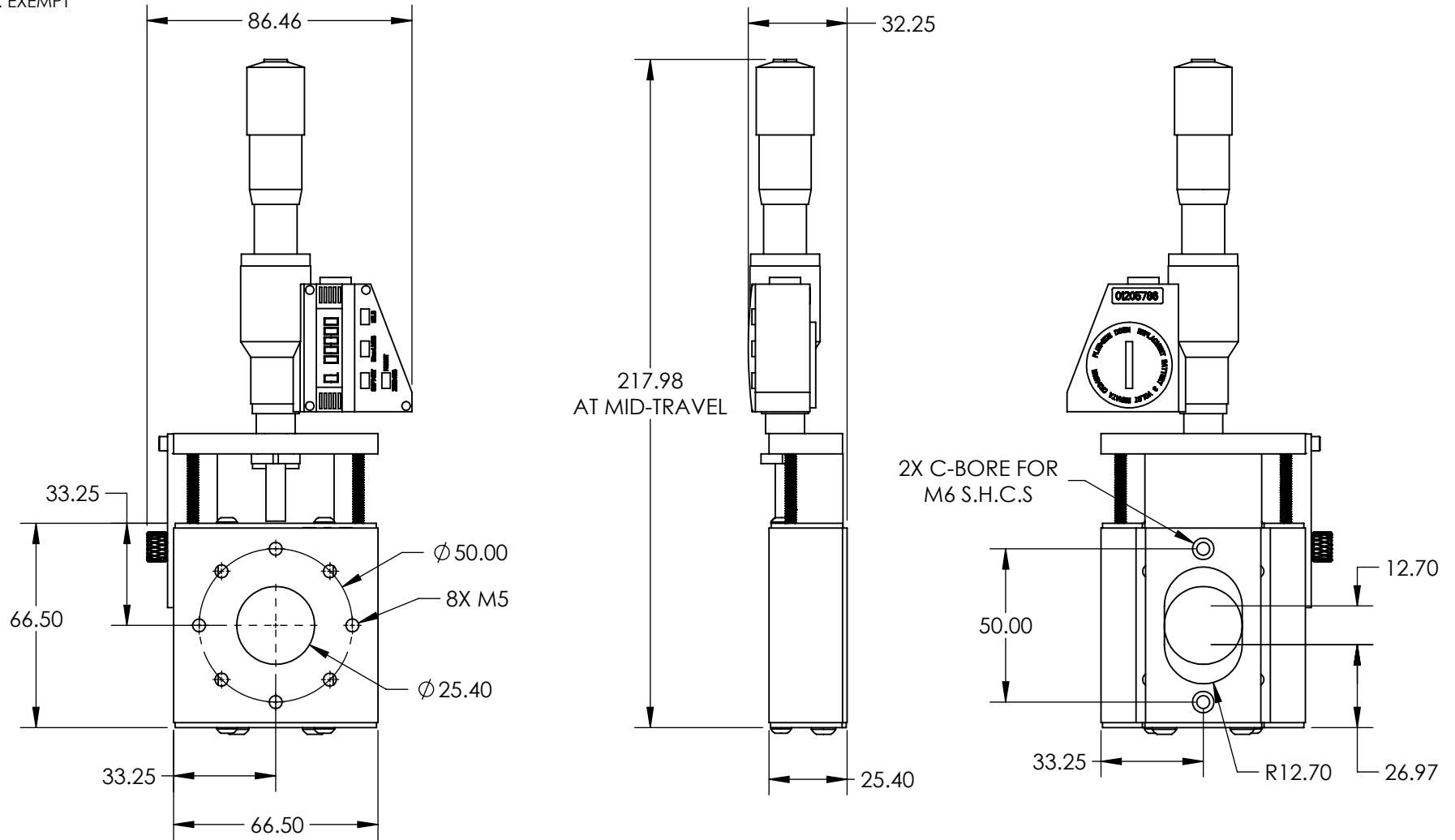


NOTES:

1. MATERIAL: STAINLESS STEEL AND BLACK ANODIZED ALUMINUM
2. MAX TRAVEL DISTANCE: 25.4mm
3. RoHS: EXEMPT



**FOR INFORMATION ONLY:
DO NOT MANUFACTURE
PARTS TO THIS DRAWING**

SPECIFICATIONS SUBJECT TO CHANGE WITHOUT NOTICE
DIMENSIONS ARE FOR REFERENCE ONLY

EO® Edmund Optics®

THIRD ANGLE PROJECTION 		TITLE	25.4mm TRAVEL, METRIC MICROMETER, TRU-HOLE 66.50mm STAGE	
ALL DIMS IN	in	DWG NO	55464	SHEET 1 OF 1