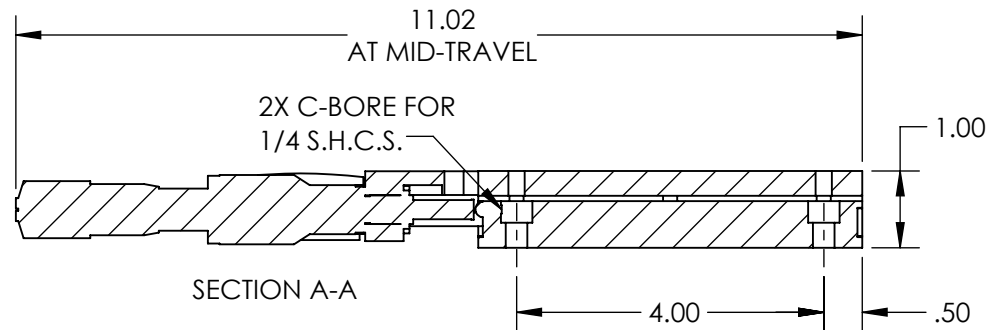
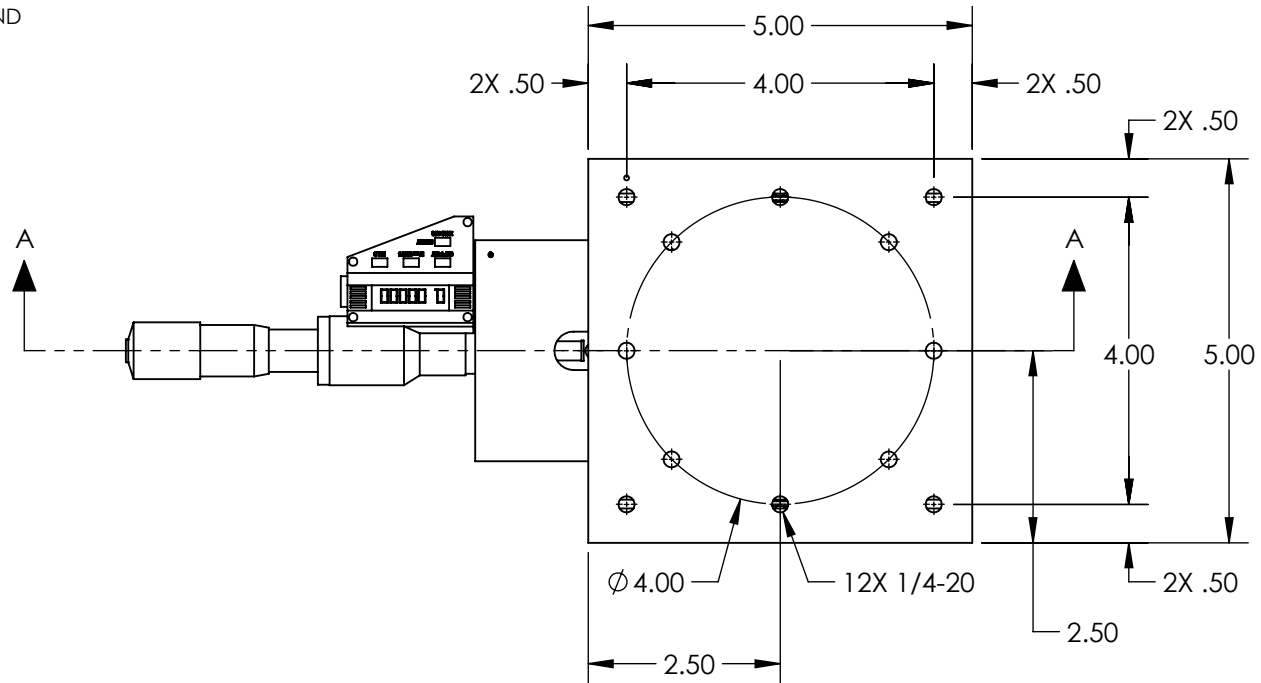


NOTES:

1. MATERIAL: STAINLESS STEEL AND BLACK ANODIZED ALUMIUM
2. MAX TRAVEL DISTANCE: 1in
3. RoHS: EXEMPT



SPECIFICATIONS SUBJECT TO CHANGE WITHOUT NOTICE
DIMENSIONS ARE FOR REFERENCE ONLY

EO® Edmund Optics®

**FOR INFORMATION ONLY:
DO NOT MANUFACTURE
PARTS TO THIS DRAWING**

THIRD ANGLE PROJECTION		TITLE	1" TRAVEL, ENG MICROMETER, SOLID TOP 5.00" STAGE	
ALL DIMS IN	in	DWG NO	38202	SHEET 1 OF 1