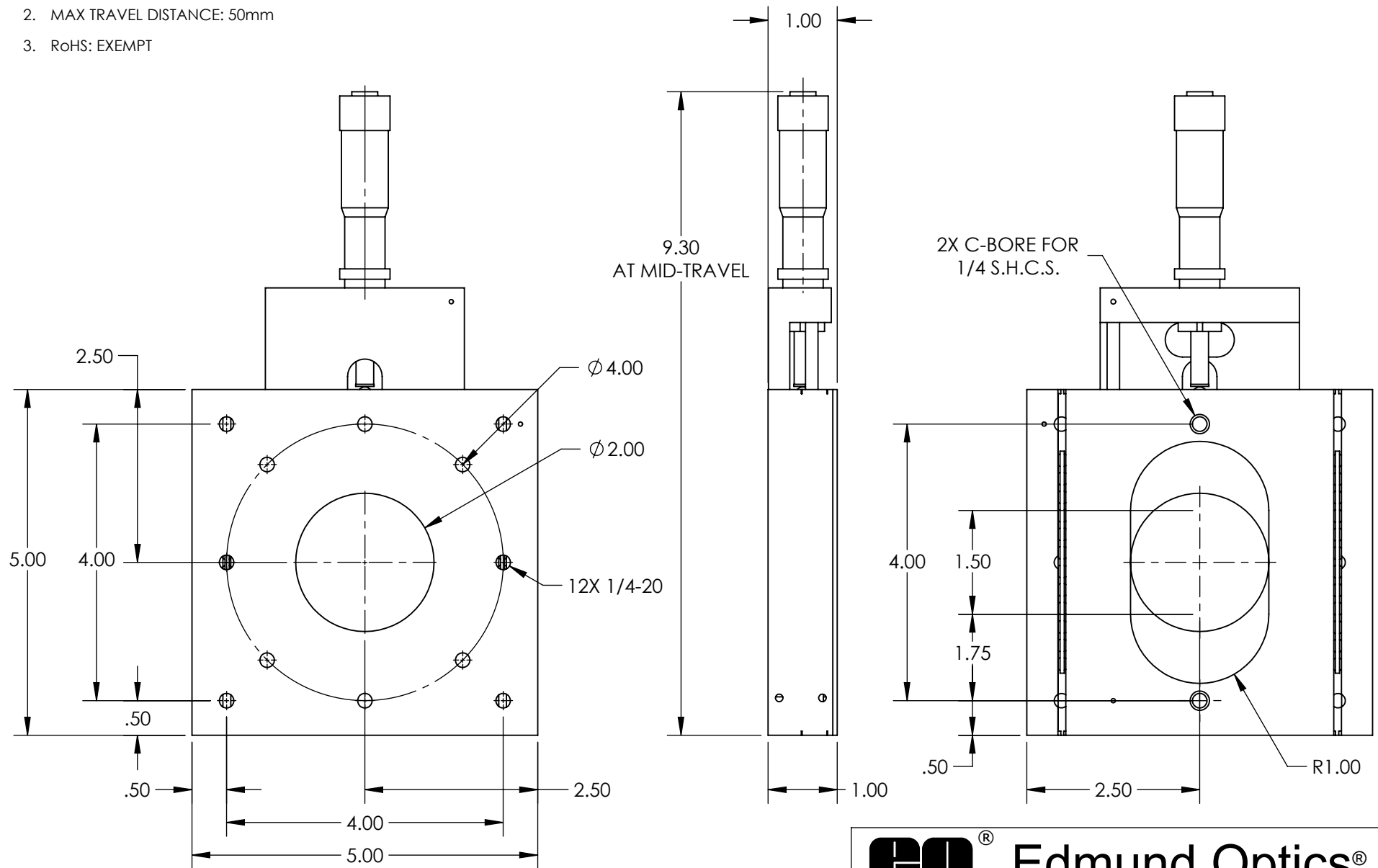


NOTES:

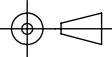
1. MATERIAL: STAINLESS STEEL AND BLACK ANODIZED ALUMINUM
2. MAX TRAVEL DISTANCE: 50mm
3. RoHS: EXEMPT



**FOR INFORMATION ONLY:  
DO NOT MANUFACTURE  
PARTS TO THIS DRAWING**

SPECIFICATIONS SUBJECT TO  
CHANGE WITHOUT NOTICE  
DIMENSIONS ARE FOR  
REFERENCE ONLY

**Edmund Optics®**

THIRD ANGLE PROJECTION 		TITLE	50mm TRAVEL, METRIC MICROMETER, THRU-HOLE BALL BEARING STAGE	
ALL DIMS IN	in	DWG NO	38180	SHEET 1 OF 1