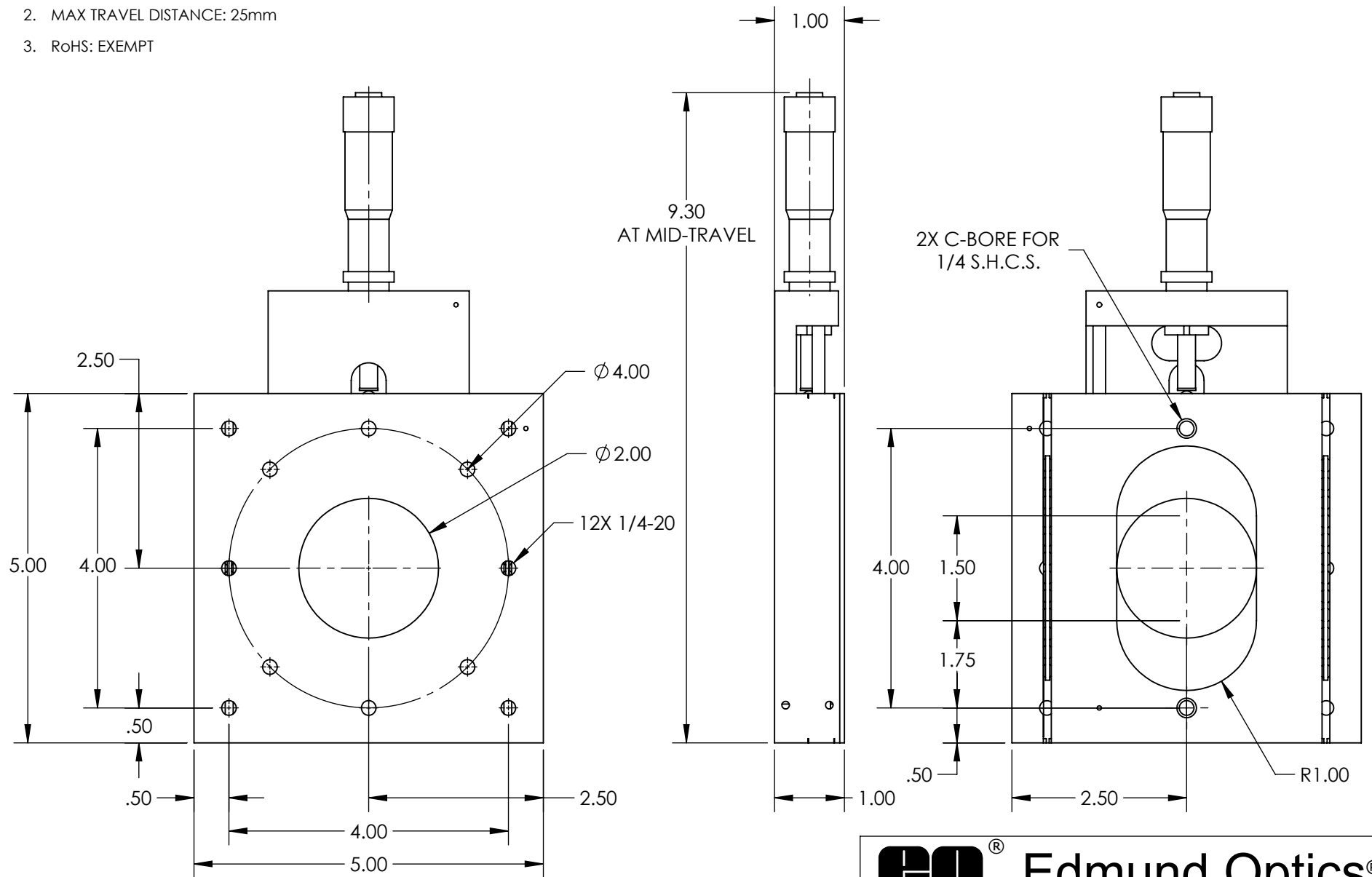


NOTES:

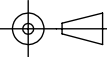
1. MATERIAL: STAINLESS STEEL AND BLACK ANODIZED ALUMINUM
2. MAX TRAVEL DISTANCE: 25mm
3. RoHS: EXEMPT



**FOR INFORMATION ONLY:
DO NOT MANUFACTURE
PARTS TO THIS DRAWING**

SPECIFICATIONS SUBJECT TO
CHANGE WITHOUT NOTICE
DIMENSIONS ARE FOR
REFERENCE ONLY

Edmund Optics®

THIRD ANGLE PROJECTION 		TITLE	25mm TRAVEL, METRIC MICROMETER, THRU-HOLE BALL BEARING STAGE	
ALL DIMS IN	in	DWG NO	33489	SHEET 1 OF 1