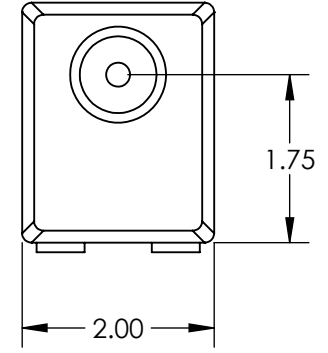
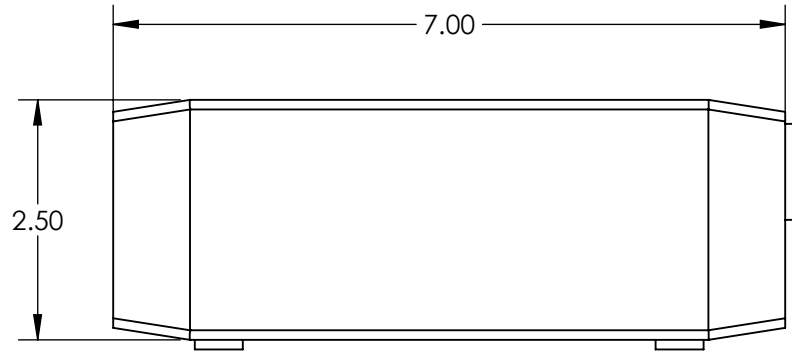


NOTES:  
1. RoHS: EXEMPT

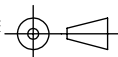
**FOR INFORMATION ONLY:  
DO NOT MANUFACTURE  
PARTS TO THIS DRAWING**



	VALUE
WEIGHT (lbs)	1.2
WARM-UP TIME	10
RMS NOISE	30 Hz - 10 MHz: 1.0%
INPUT VOLTAGE (V)	220
OPERATING LIFETIME (HOURS)	12,000
MINIMUM OUTPUT POWER, TEM00 (mW)	0.8
LONGITUDINAL MODE SPACING, NOMINAL (MHz)	1090
LASER CLASS - CDRH	IIIa
COLOR	RED
OUTPUT POWER (mW)	0.8
BEAM DIAMETER (mm)	0.48 ± 3
BEAM DIVERGENCE (mrad)	1.7
POLARIZATION	Random

SPECIFICATIONS SUBJECT TO CHANGE WITHOUT NOTICE  
DIMENSIONS ARE FOR REFERENCE ONLY

**EO**® **Edmund Optics**®

THIRD ANGLE PROJECTION 	TITLE	0.8mW 220V Random, HeNe Laser	
ALL DIMS IN	mm	DWG NO	61373
			SHEET 1 OF 1