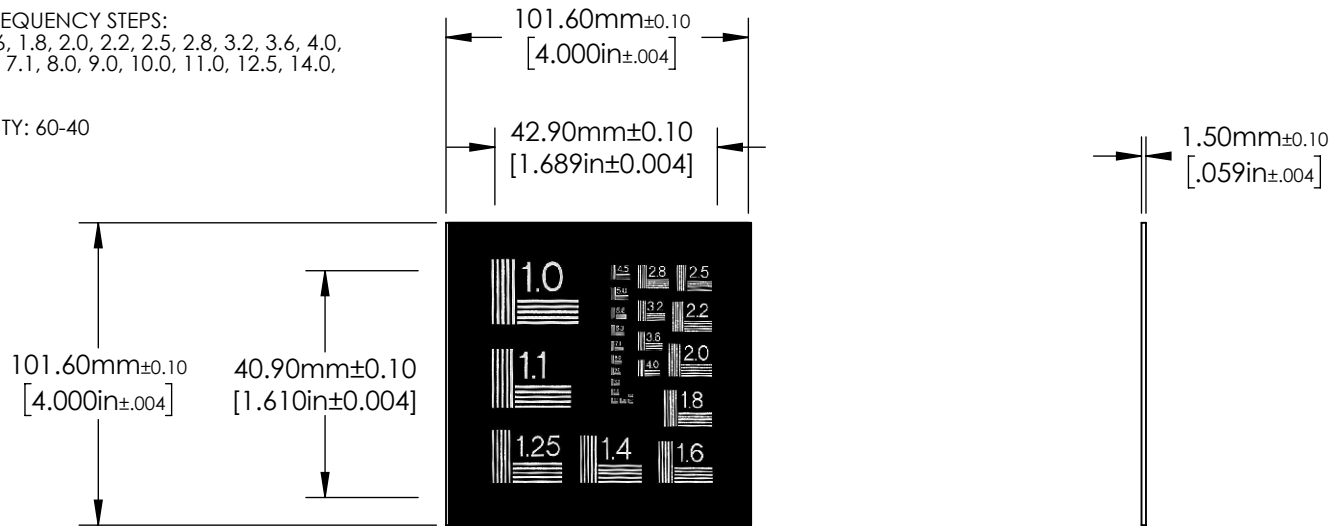


NOTES:

1. SUBSTRATE:  
FLOAT GLASS
2. COATING  
VACUUM DEPOSITED DURABLE CHROMIUM PATTERN
3. LINE PAIRS : 18-Jan  
LINE WIDTH TOLERANCE (mm):  $\pm 2.7$ - $1.3 \mu\text{m}$
4. OPTICAL DENSITY:  $\geq 3.0$
5. CHANGES IN FREQUENCY STEPS:  
1.1, 1.25, 1.4, 1.6, 1.8, 2.0, 2.2, 2.5, 2.8, 3.2, 3.6, 4.0,  
4.5, 5.0, 5.6, 6.3, 7.1, 8.0, 9.0, 10.0, 11.0, 12.5, 14.0,  
16.0, 18.0
6. SURFACE QUALITY: 60-40



PLEASE NOTE:  
NBS 1963A AREA ENLARGED

**FOR INFORMATION ONLY:  
DO NOT MANUFACTURE  
PARTS TO THIS DRAWING**

SPECIFICATIONS SUBJECT TO  
CHANGE WITHOUT NOTICE  
DIMENSIONS ARE FOR  
REFERENCE ONLY

**EO**® Edmund Optics®

THIRD ANGLE PROJECTION		TITLE	1-18, 101.6 x 101.6mm NBS 1963A Negative Target	
ALL DIMS IN	mm	DWG NO	85275	SHEET 1 OF 1