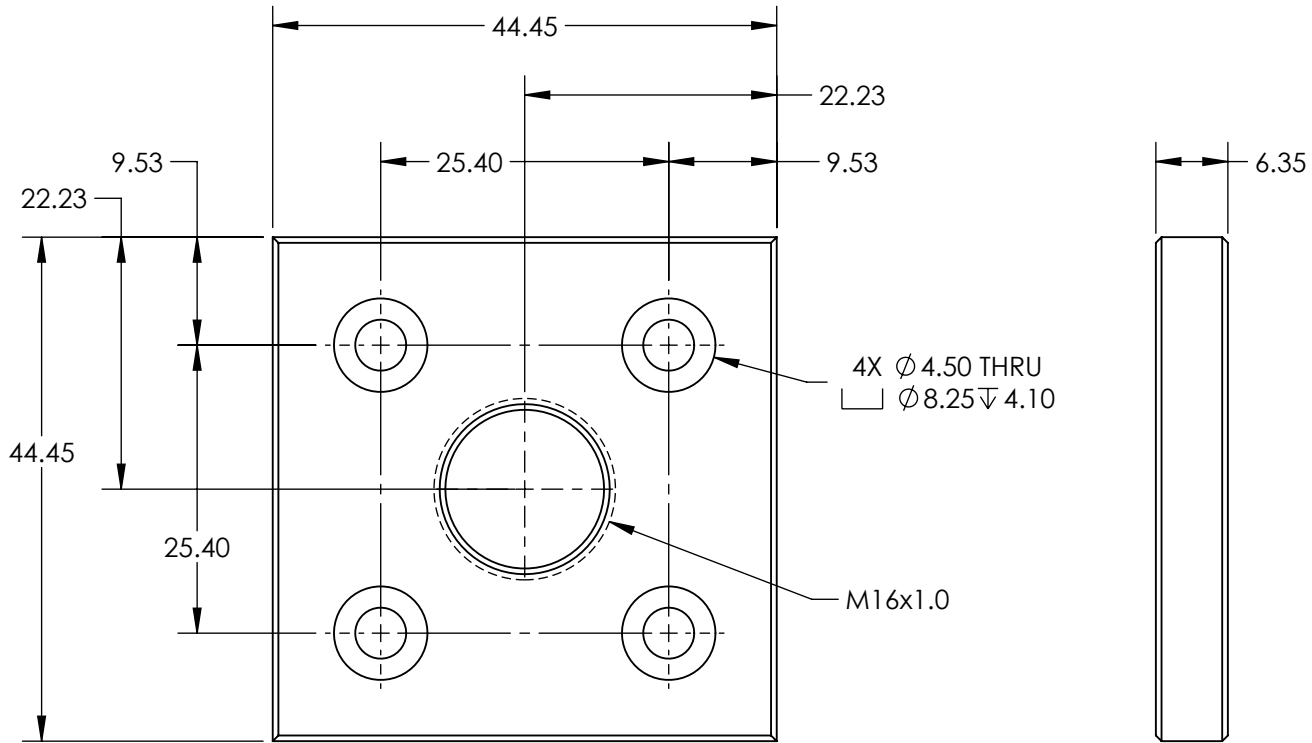
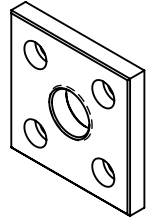


- NOTES:
 1. MATERIAL:
 2. RoHS: COMPLIANT



SPECIFICATIONS SUBJECT TO CHANGE WITHOUT NOTICE
 DIMENSIONS ARE FOR REFERENCE ONLY

**FOR INFORMATION ONLY:
 DO NOT MANUFACTURE
 PARTS TO THIS DRAWING**

EO® Edmund Optics®

THIRD ANGLE PROJECTION		TITLE	METRIC PLATE FOR 1.75" STAGES, M16 x 1.0 CENTER THREADED HOLE	
ALL DIMS IN	mm	DWG NO	55650	SHEET 1 OF 1