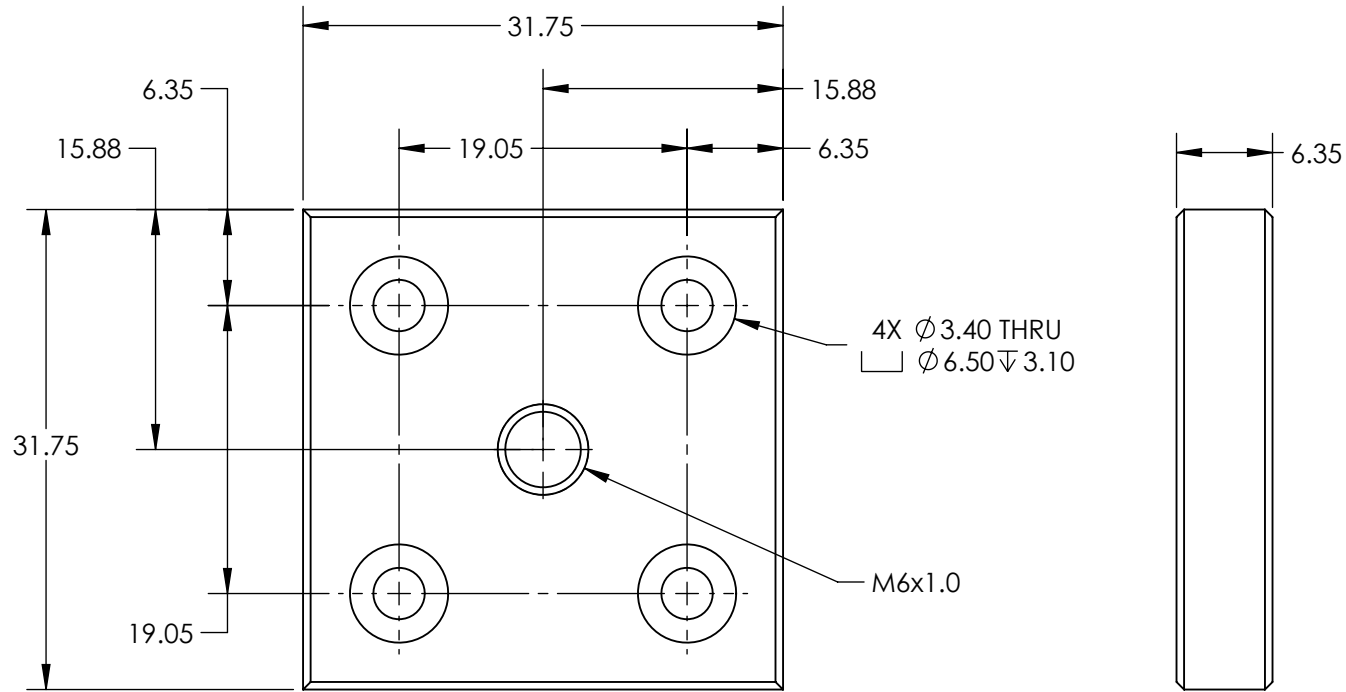
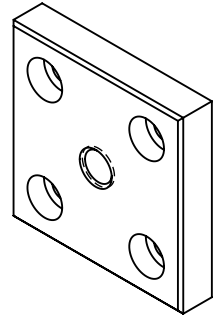


NOTES:

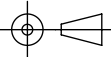
1. MATERIAL: BLACK ANODIZED ALUMINUM
2. RoHS: COMPLIANT



SPECIFICATIONS SUBJECT TO CHANGE WITHOUT NOTICE
DIMENSIONS ARE FOR REFERENCE ONLY

**FOR INFORMATION ONLY:
DO NOT MANUFACTURE
PARTS TO THIS DRAWING**

EO® Edmund Optics®

THIRD ANGLE PROJECTION 		TITLE	METRIC PLATE FOR 1.25" STAGES, M6 x 1.0 CENTER THREADED HOLE	
ALL DIMS IN	mm	DWG NO	55647	SHEET 1 OF 1