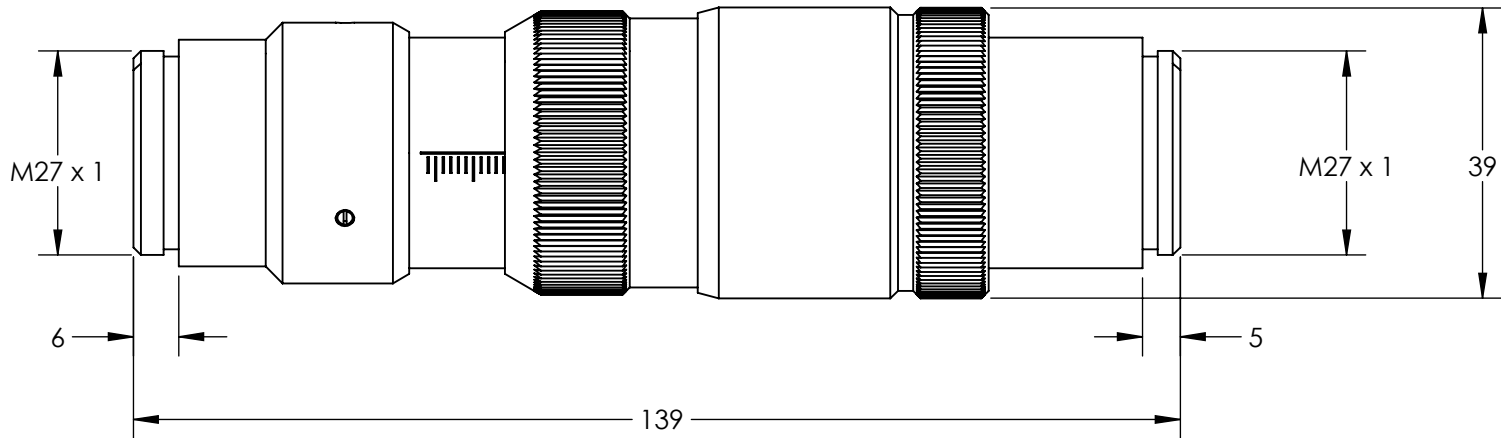
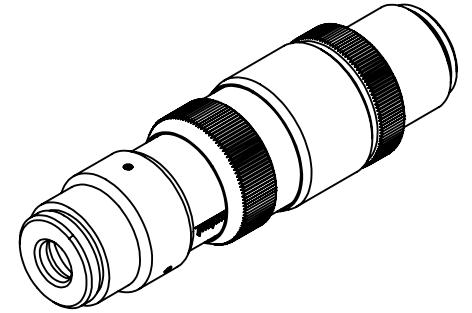


NOTES:

1. RoHS: NOT COMPLIANT

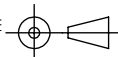
**FOR INFORMATION ONLY:  
DO NOT MANUFACTURE  
PARTS TO THIS DRAWING**



SPECIFICATIONS SUBJECT TO CHANGE WITHOUT NOTICE  
DIMENSIONS ARE FOR REFERENCE ONLY

**EO**® Edmund Optics®

REV. A	VALUE
DESIGN WAVELENGTH DWL (nm)	442, 632.8
INPUT DIAMETER (mm)	6 (1/E <sup>2</sup> )
WAVELENGTH RANGE(nm)	405 - 680

THIRD ANGLE PROJECTION 

ALL DIMS IN mm

TITLE	VIS Flat Top Beam Shaper   πShaper 6_6_VIS	
DWG NO	12644	SHEET 1 OF 1