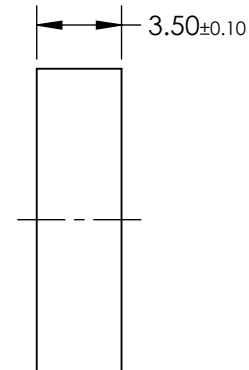
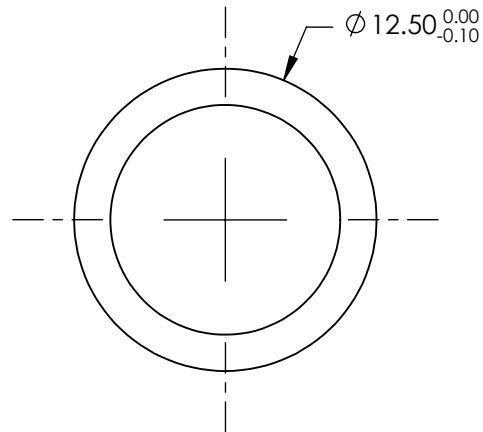
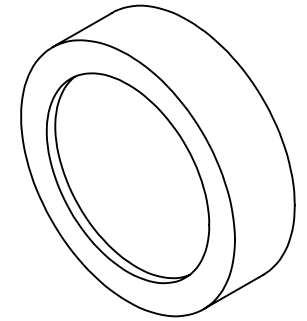


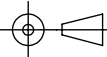
**FOR INFORMATION ONLY:
DO NOT MANUFACTURE
PARTS TO THIS DRAWING**



CENTER WAVELENGTH CWL (nm)	561
BANDWIDTH (nm)	2.1
OPTICAL DENSITY OD	≥ 6.0
TRANSMISSION (%)	> 90
SURFACE QUALITY	60-40
ANGLE OF INCIDENCE (°)	0 ± 2
DURABILITY (ENVIRONMENTAL)	MIL-STD-810F Paragraphs 501.4, 502.4, AND 507.4
DURABILITY (PHYSICAL)	MIL-C-48497A Paragraphs 4.5.3.1, 4.5.3.2, 4.5.3.3, 4.5.4.2, AND 4.5.5.3
OD 5 BLOCKING WAVELENGTH RANGE (nm)	466.7-555.4 & 566.6-750.5
OD 6 BLOCKING WAVELENGTH RANGE (nm)	516.1-552.6 & 569.4-617.1
RoHS	COMPLIANT

SPECIFICATIONS SUBJECT TO CHANGE WITHOUT NOTICE
DIMENSIONS ARE FOR REFERENCE ONLY

EO® **Edmund Optics**®

THIRD ANGLE PROJECTION 	TITLE	561nm High Performance Laser Line Filter 12.5mm Dia.	
	ALL DIMS IN	mm	DWG NO 12271

SHEET
1 OF 1