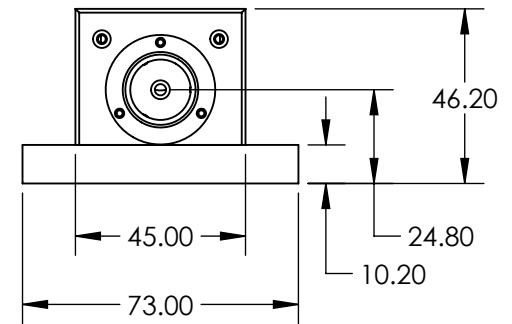
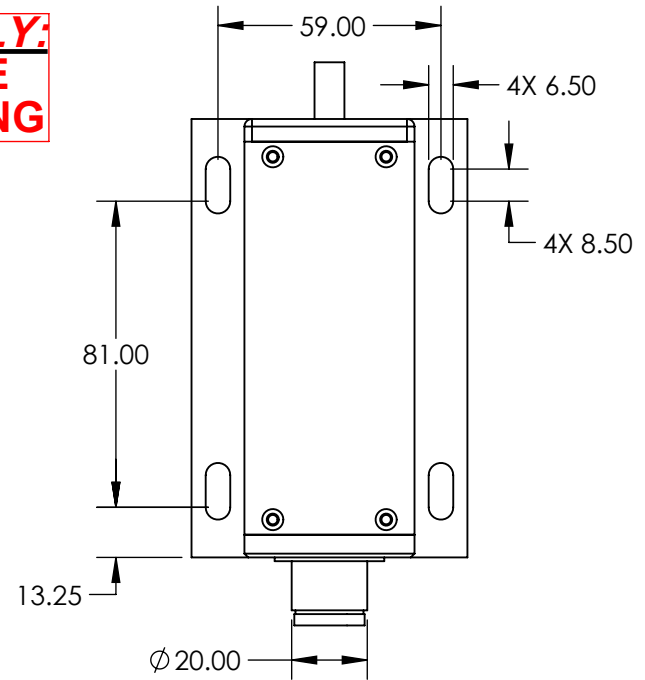
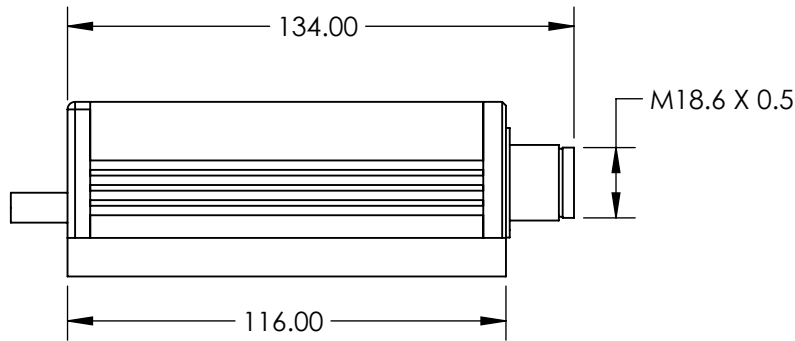


NOTES:

- 1. RoHS: COMPLIANT

**FOR INFORMATION ONLY:
DO NOT MANUFACTURE
PARTS TO THIS DRAWING**



SPECIFICATIONS SUBJECT TO CHANGE WITHOUT NOTICE
DIMENSIONS ARE FOR REFERENCE ONLY

	VALUE
BEAM DIVERGENCE (mrad)	<1.50
COLOR	BLUE
OUTPUT POWER (mW)	50.00
POINTING STABILITY AFTER WARM UP (mrad/°C)	<0.05
POLARIZATION	>100:1
POWER STABILITY (%)	<2% RMS OVER 4 HOURS
WAVELENGTH (nm)	473
MODE QUALITY, M2	<1.20
MODULATION FREQUENCY (kHz)	1-10
BEAM DIAMETER (mm)	1.20

Edmund Optics®



TITLE

473nm 50mW LOW COST TURNKEY LASER

ALL DIMS IN

mm

DWG NO

35070

SHEET
1 OF 1