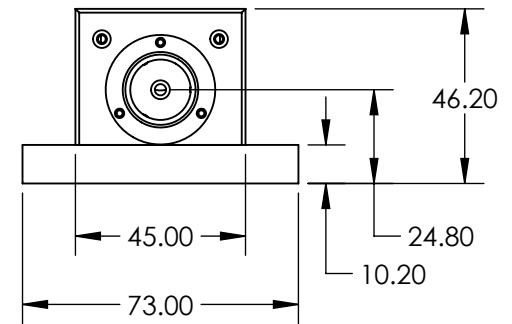
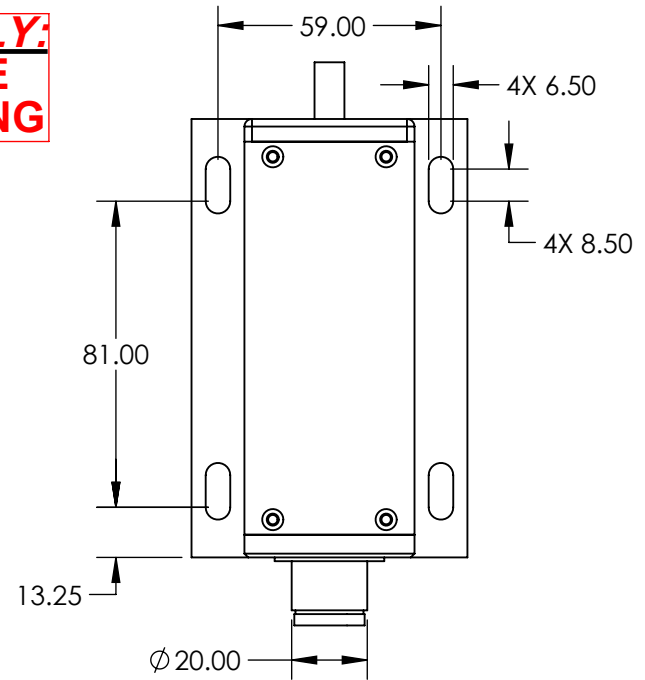
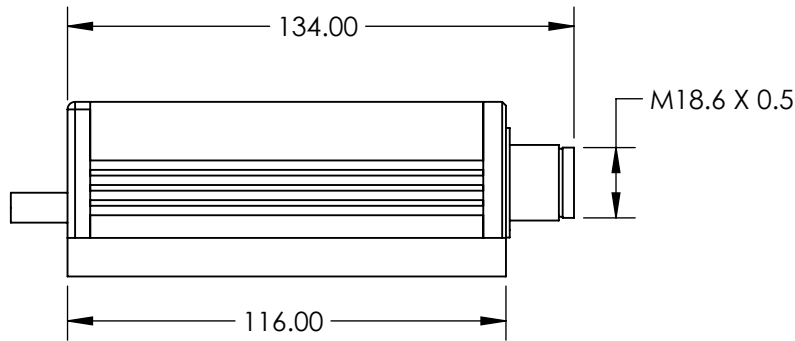


NOTES:

- 1. RoHS: COMPLIANT

**FOR INFORMATION ONLY:  
DO NOT MANUFACTURE  
PARTS TO THIS DRAWING**



|  | VALUE                |
|--|----------------------|
| BEAM DIVERGENCE (mrad)                     | <0.50                |
| COLOR                                      | VIOLET               |
| OUTPUT POWER (mW)                          | 50.00                |
| POINTING STABILITY AFTER WARM UP (mrad/°C) | <0.05                |
| POLARIZATION                               | >50:1                |
| POWER STABILITY (%)                        | <2% RMS OVER 4 HOURS |
| WAVELENGTH (nm)                            | 405                  |
| MODE QUALITY, M2                           | <1.50                |
| MODULATION FREQUENCY (kHz)                 | 1-10                 |
| BEAM DIAMETER (mm)                         | 2.50                 |

SPECIFICATIONS SUBJECT TO CHANGE WITHOUT NOTICE  
DIMENSIONS ARE FOR REFERENCE ONLY

**EO**® Edmund Optics®



ALL DIMS IN

mm

TITLE

405nm 50mW LOW COST TURNKEY LASER

DWG NO

35069

SHEET  
1 OF 1