

# Prosilica GC

## 1600



- Sony ICX274 sensor
- 15 fps @ full resolution
- Rugged housing
- Video-type auto iris

## Ultra-compact 2 Megapixel CCD camera with GigE Vision

Prosilica GC1600 is a high-resolution 2 Megapixel camera with a GigE Vision compliant Gigabit Ethernet interface. This camera incorporates a high-quality Sony ICX274 CCD sensor with Super HAD technology providing excellent monochrome and color image quality. At full resolution, this camera has a frame rate of 15 frames per second. With a smaller region of interest higher frame rates are possible. By default monochrome models ship with no optical filter and color models ship with an IRC30 IR cut filter.

### Options:

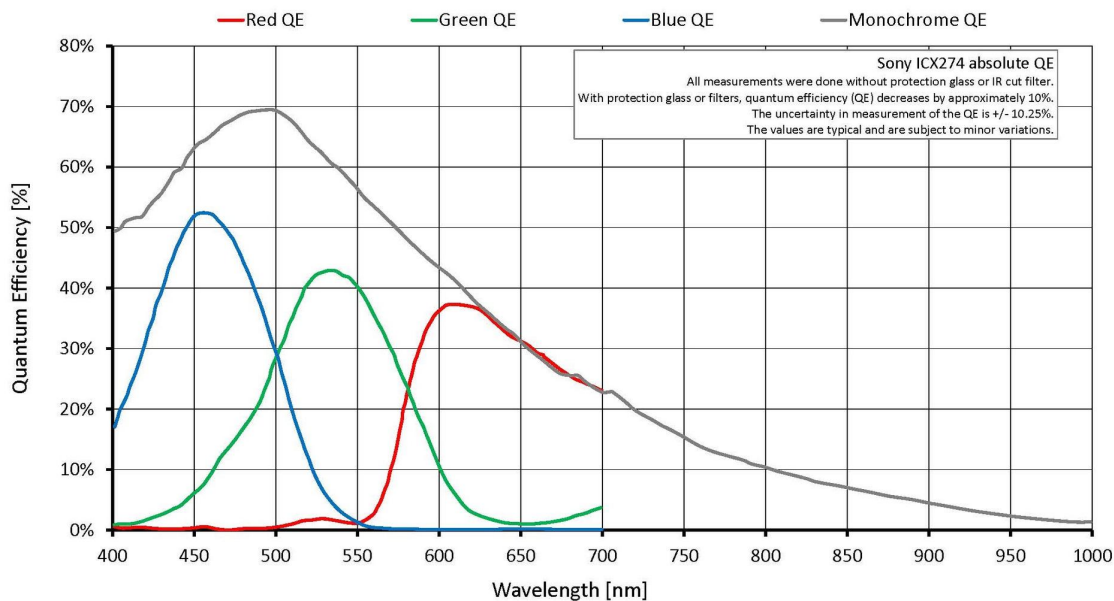
- CS-Mount
- Optical filters (IR cut filter/Protection glass)

See the [Modular Concept](#) for lens mount and optical filter options.

## Specifications

Prosilica GC	1600
Interface	IEEE 802.3 1000baseT
Resolution	1620 (H) × 1220 (V)
Sensor	Sony ICX274
Sensor type	CCD Progressive
Sensor size	Type 1/1.8
Pixel size	4.4 μm × 4.4 μm
Lens mount (default)	C-Mount
Max. frame rate at full resolution	15 fps
ADC	12 bit
Image buffer (RAM)	16 MByte
	<b>Output</b>
Bit depth	8/12 Bit

Prosilica GC	1600
Monochrome pixel formats	Mono8, Mono12, Mono12Packed
RGB color pixel formats	RGB8Packed, BGR8Packed
Raw pixel formats	BayerRG8, BayerRG12, BayerGR12Packed
General purpose inputs/outputs (GPIOs)	
TTL I/Os	1 input, 1 output
Opto-isolated I/Os	1 input, 1 output
RS232	1
Operating conditions/dimensions	
Operating temperature	0 °C to +50 °C ambient (without condensation)
Power requirements (DC)	5 to 25 VDC
Power consumption	3.2 W at 12 VDC
Mass	97 g
Body dimensions (L × W × H in mm)	59 × 46 × 33 (including connectors)
Regulations	CE: 2014/30/EU (EMC), 2011/65/EU, including amendment 2015/863/EU (RoHS); FCC Class A; CAN ICES-003



## Features

### Image optimization features:

- Auto gain (manual gain control: 0 to 21 dB)
- Auto exposure (manual exposure control: 10  $\mu$ s to 116.8 s @ 1  $\mu$ s increments)

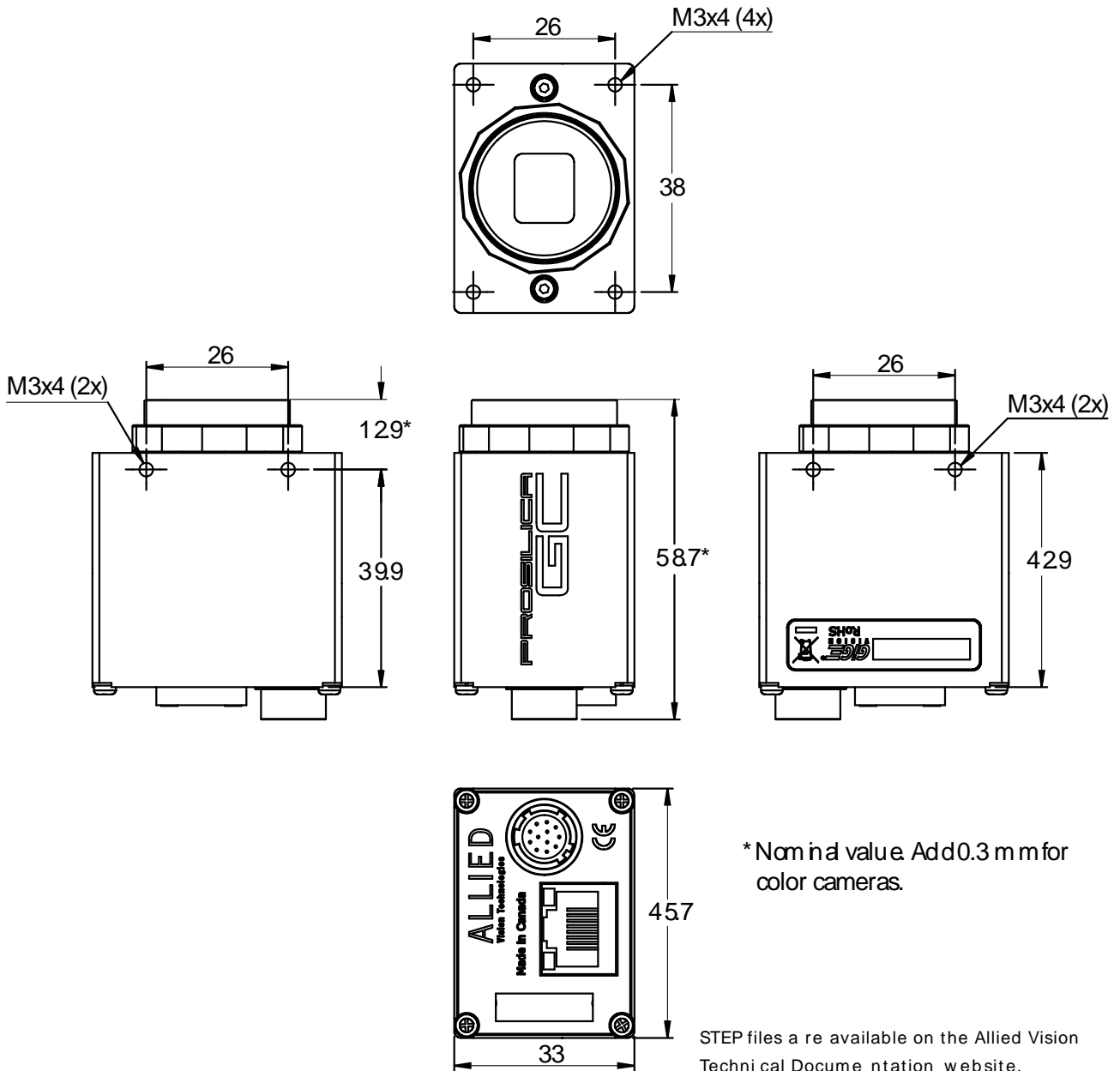


- Auto white balance
- Binning (horizontal and vertical) (sum)
- Region of interest (ROI), DSP subregion (selectable ROI for auto features)

#### Camera control features:

- Auto-iris (video type)
- Event channel
- Global shutter (digital shutter)
- IEEE 1588 Precision Time Protocol
- Image chunk data
- Recorder and Multiframe acquisition modes
- RS232
- Five storable user sets
- StreamBytesPerSecond (bandwidth control)
- Stream hold
- Sync out modes: Trigger ready, input, exposing, readout, imaging, strobe, GPO

## Technical drawing





## Applications

Prosilica GC1600 is ideal for a wide range of applications including:

- Industrial inspection
- Machine vision
- Ophthalmology
- LCD panel inspection
- Aeronautical and aerospace
- Public security
- Surveillance
- Traffic imaging
- OEM applications