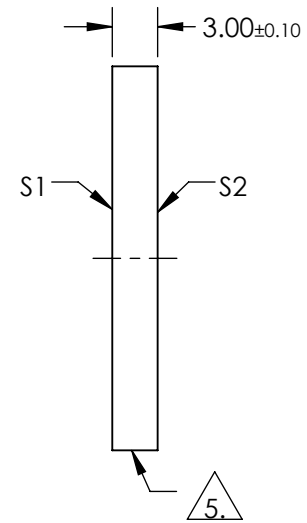
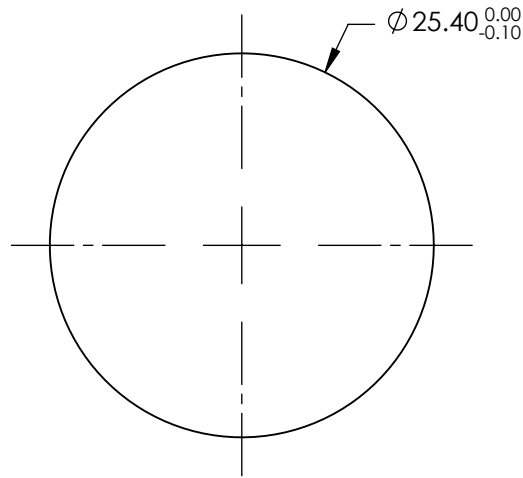
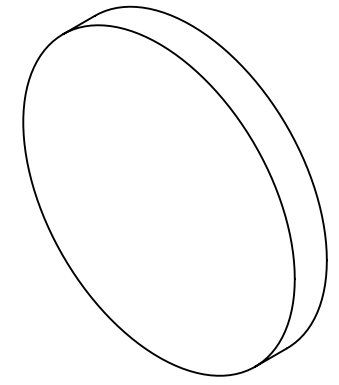


NOTES:

1. SUBSTRATE: GERMANIUM
2. RoHS: COMPLIANT
3. SURFACE S2 TO BE PARALLEL TO SURFACE S1 TO WITHIN < 1 ARCMIN
4. COATING (APPLY ACROSS COATING APERTURE)  
S1 & S2: R(AVG) ≤ 3.0% FROM 8.0 - 12.0µm

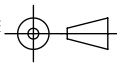
5. FINE GRIND SURFACE



**FOR INFORMATION ONLY:  
DO NOT MANUFACTURE  
PARTS TO THIS DRAWING**

SPECIFICATIONS SUBJECT TO CHANGE WITHOUT NOTICE  
DIMENSIONS ARE FOR REFERENCE ONLY

	S1	S2
SHAPE	PLANO	PLANO
SURFACE QUALITY	60-40	60-40
SURFACE ACCURACY @ 10.6µm	λ/20	λ/20
CLEAR APERTURE	Ø22.89	Ø22.89
BEVEL	PROTECTIVE AS NEEDED	PROTECTIVE AS NEEDED

THIRD ANGLE PROJECTION 

ALL DIMS IN mm

 **Edmund Optics®**

TITLE WINDOW GERMANIUM 25.4 x 3.0mm 8-12µm CTD

DWG NO 11871

SHEET 1 OF 1