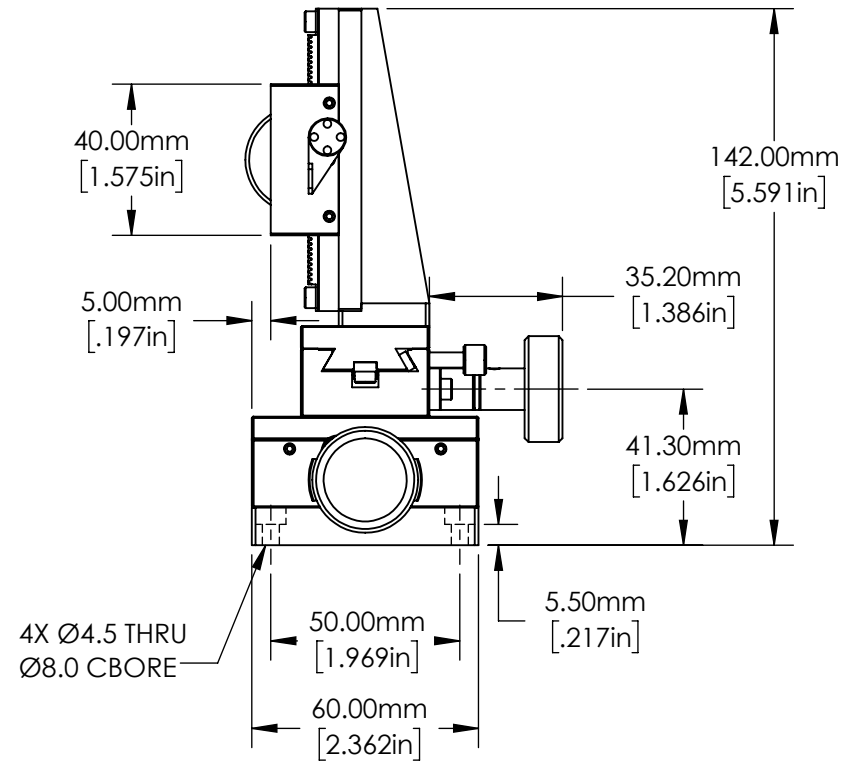
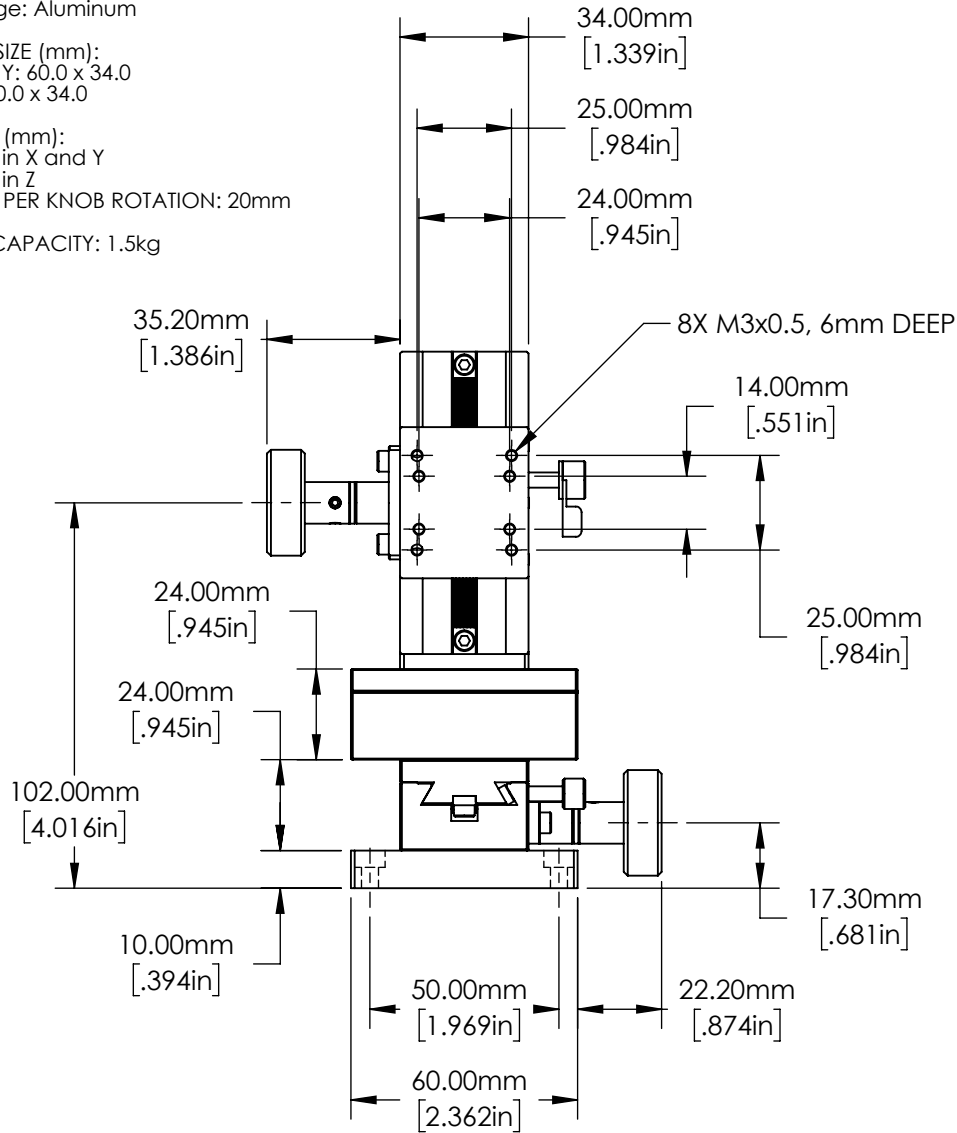
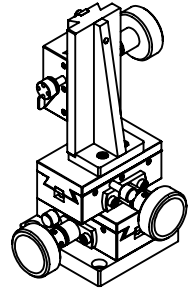


NOTES:

1. CONSTRUCTION:
Rack and Pinion: Brass
Stage: Aluminum
2. STAGE SIZE (mm):
X & Y: 60.0 x 34.0
Z: 40.0 x 34.0
3. TRAVEL (mm):
±15 in X and Y
±20 in Z
TRAVEL PER KNOB ROTATION: 20mm
4. LOAD CAPACITY: 1.5kg



**FOR INFORMATION ONLY:
DO NOT MANUFACTURE
PARTS TO THIS DRAWING**

SPECIFICATIONS SUBJECT TO
CHANGE WITHOUT NOTICE
DIMENSIONS ARE FOR
REFERENCE ONLY

EO® Edmund Optics®

THIRD ANGLE PROJECTION		TITLE	30mm X&Y, 40mm Z Travel, X-Y-Z Axis Rack & Pinion Stage	
ALL DIMS IN	mm	DWG NO	62041	SHEET 1 OF 1