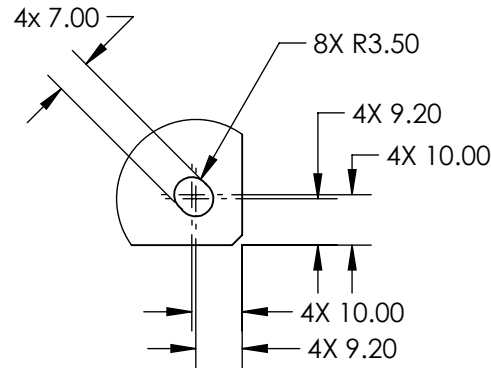
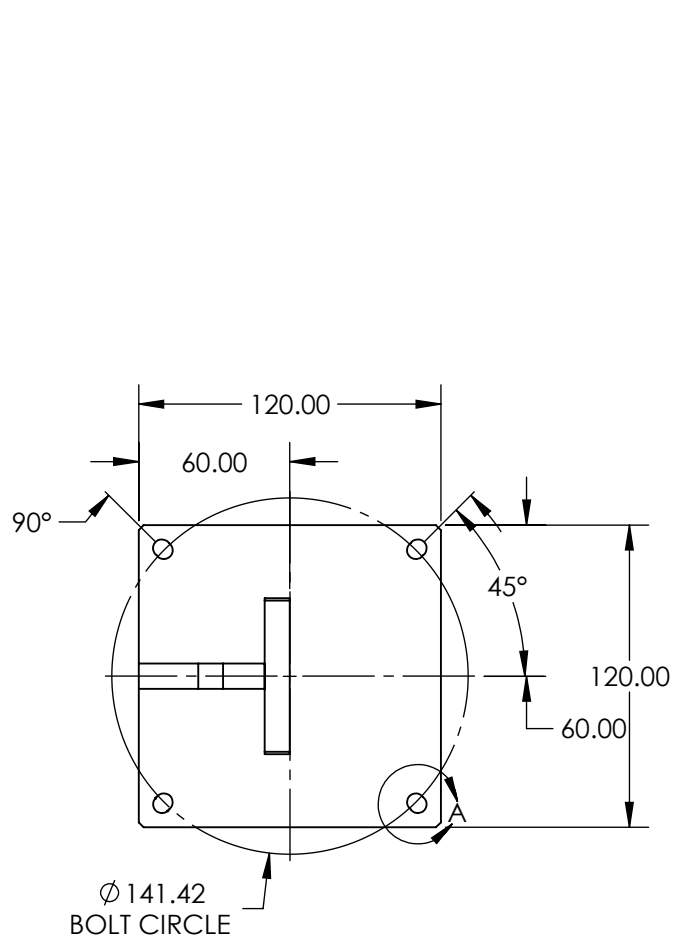
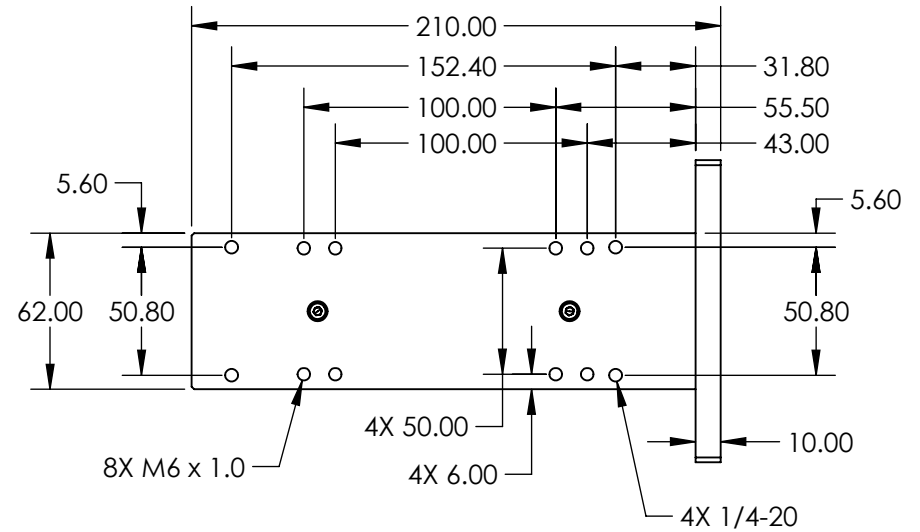


NOTES:

1. MATERIAL: BLACK ANODIZED ALUMINUM
2. ROHS COMPLIANT



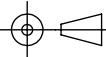
DETAIL A



SPECIFICATIONS SUBJECT TO CHANGE WITHOUT NOTICE
DIMENSIONS ARE FOR REFERENCE ONLY

**FOR INFORMATION ONLY:
DO NOT MANUFACTURE
PARTS TO THIS DRAWING**

EO[®] Edmund Optics[®]

| | | | | |
|--|----|--------|---------------------------------------|-----------------|
| THIRD ANGLE PROJECTION  | | TITLE | OPTICAL RAIL VERTICAL CONFIG. BRACKET | |
| ALL DIMS IN | mm | DWG NO | 11165 | SHEET 1 OF 1 |