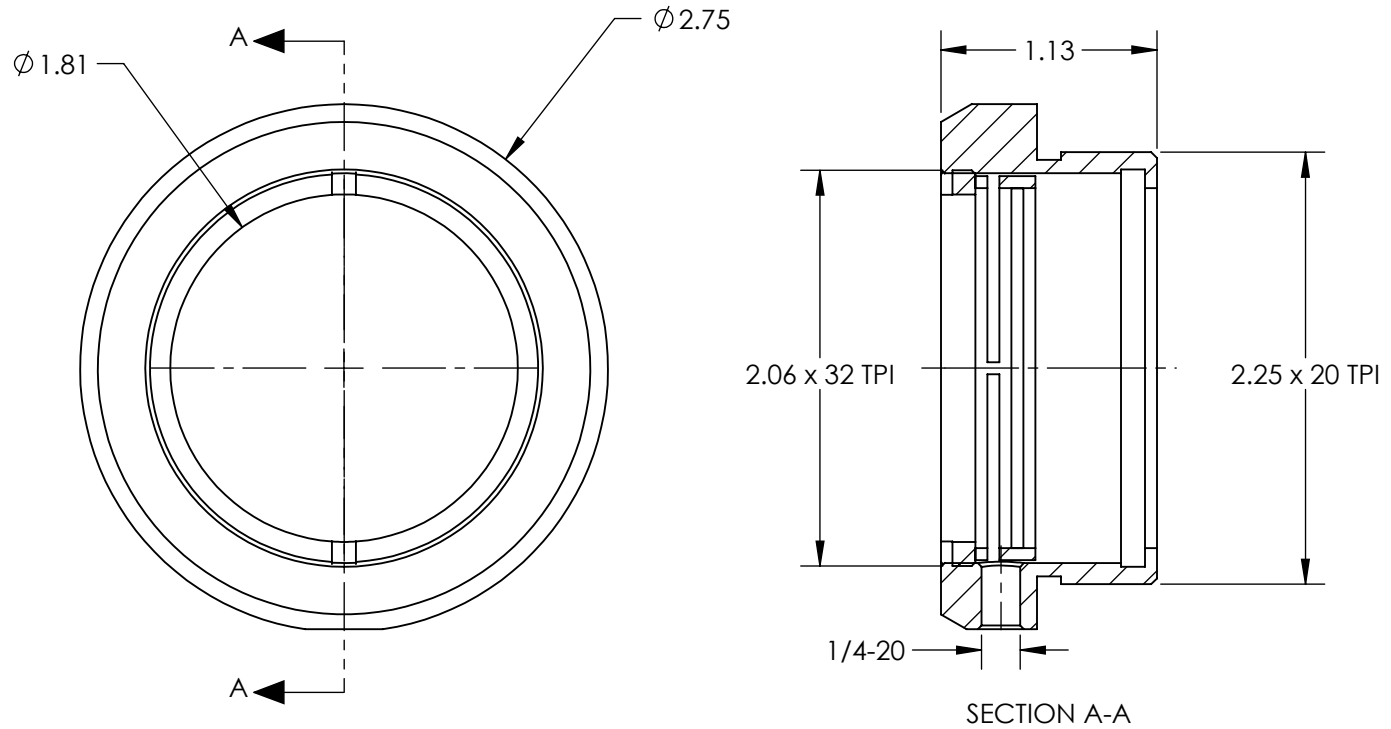


NOTES:

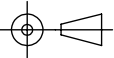
1. ROHS COMPLIANT



**FOR INFORMATION ONLY:  
DO NOT MANUFACTURE  
PARTS TO THIS DRAWING**

SPECIFICATIONS SUBJECT TO  
CHANGE WITHOUT NOTICE  
DIMENSIONS ARE FOR  
REFERENCE ONLY

**EO**<sup>®</sup> Edmund Optics<sup>®</sup>

THIRD ANGLE PROJECTION 		TITLE	2.00" Diameter, Optical Cell Assemblies	
ALL DIMS IN	in	DWG NO	36465	SHEET 1 OF 1