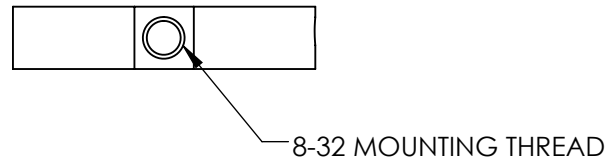
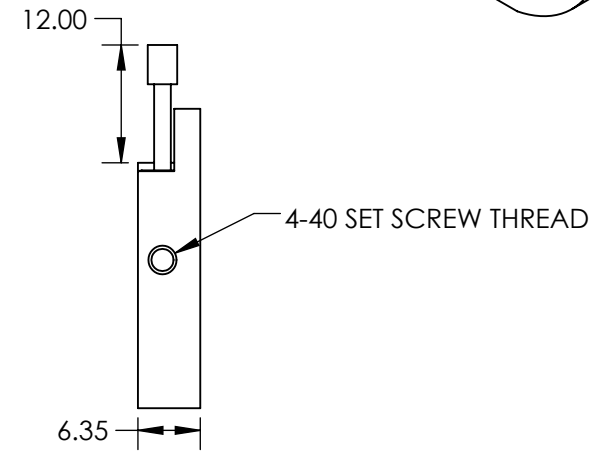
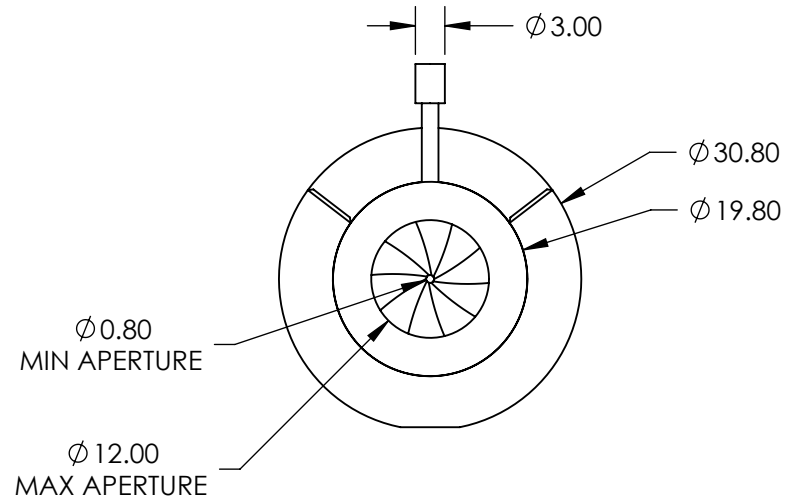
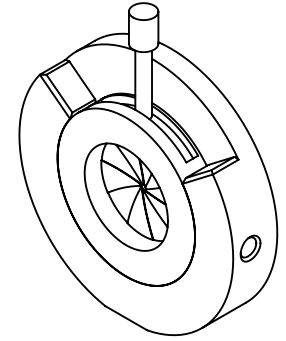


NOTES:

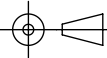
1. CONSTRUCTION:  
Blackened Brass Housing, Stainless Steel Leaves, Stainless Steel Pin  
Actuators, Black Anodized Aluminum Mount
2. ROHS: NOT COMPLIANT



SPECIFICATIONS SUBJECT TO CHANGE WITHOUT NOTICE  
DIMENSIONS ARE FOR REFERENCE ONLY

**FOR INFORMATION ONLY:  
DO NOT MANUFACTURE  
PARTS TO THIS DRAWING**

**EO**<sup>®</sup> Edmund Optics<sup>®</sup>

THIRD ANGLE PROJECTION 		TITLE	30.8mm OUTER DIAMETER, MOUNTED IRIS DIAPHRAGM	
ALL DIMS IN	mm	DWG NO	53914	SHEET 1 OF 1