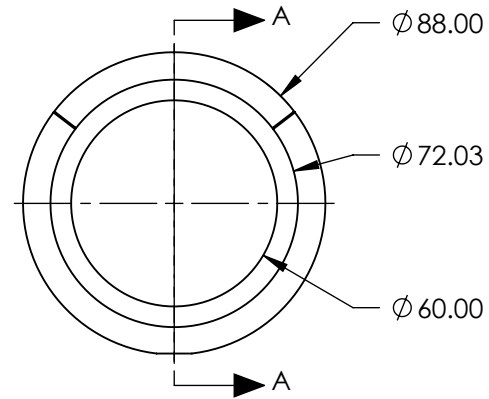
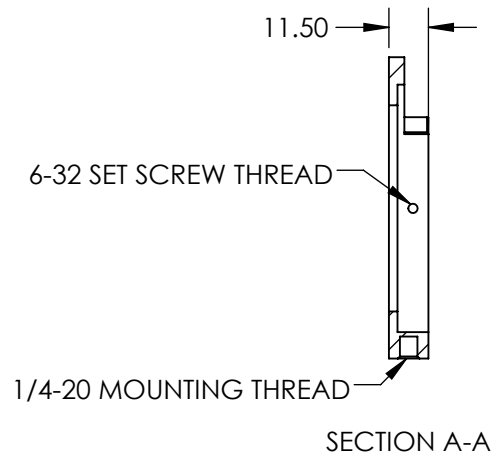
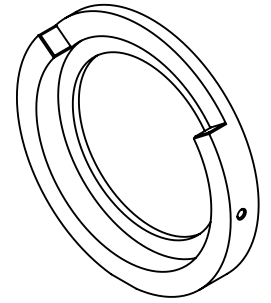


NOTES:

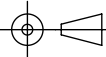
1. ROHS: NOT COMPLIANT



SPECIFICATIONS SUBJECT TO CHANGE WITHOUT NOTICE
DIMENSIONS ARE FOR REFERENCE ONLY

EO[®] Edmund Optics[®]

**FOR INFORMATION ONLY:
DO NOT MANUFACTURE
PARTS TO THIS DRAWING**

THIRD ANGLE PROJECTION 		TITLE	IRIS MOUNT FOR 72mm OUTER DIAMETER IRISES	
ALL DIMS IN	mm	DWG NO	54865	SHEET 1 OF 1