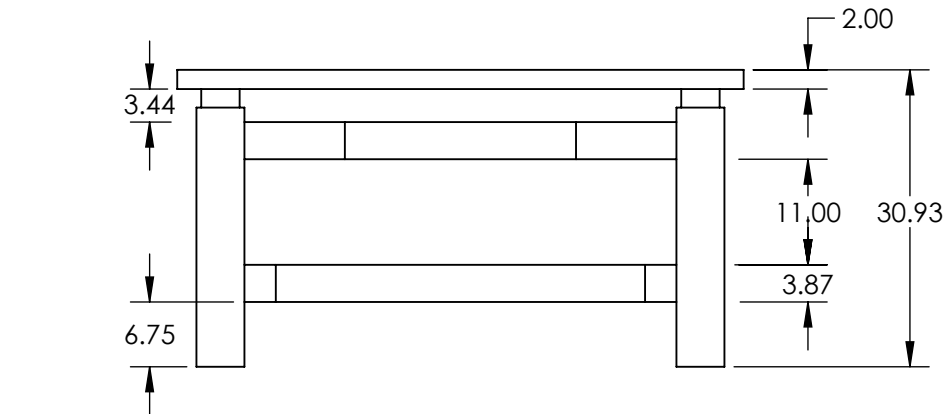
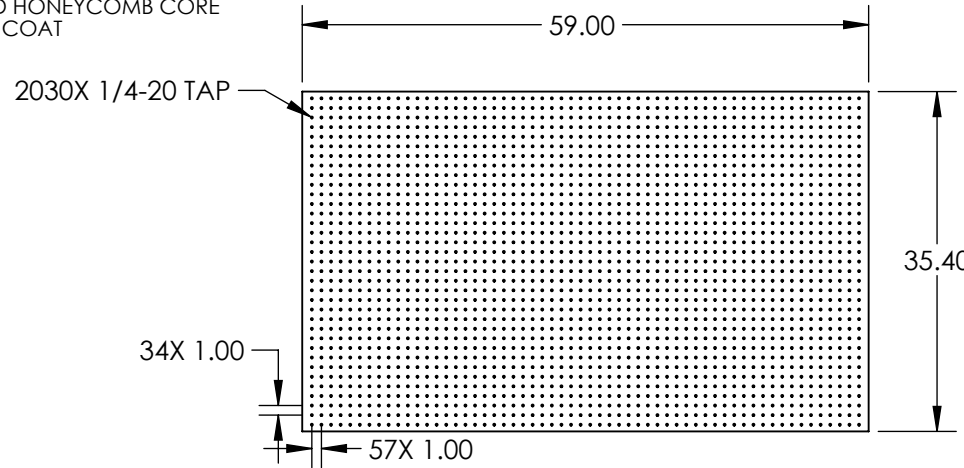
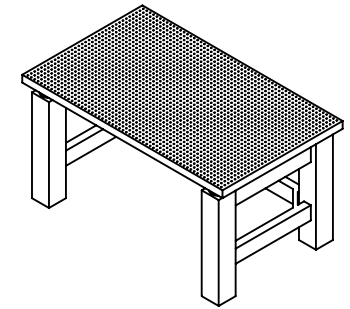


NOTES:

1. VIBRATION RATING:
 5 Hz: Vertical = 70-85%, Horizontal = 75-90%
 10 Hz: Vertical = 90-97%, Horizontal = 90-97%
2. FEED PRESSURE (psi): 80 (nitrogen or air)
3. CONSTRUCTION:
 TOP: STAINLESS STEEL
 CORE: ALL STEEL, HIGH DENSITY, CELL-SIZED HONEYCOMB CORE
 FRAME: MEDIUM TEXTURE BLACK POWDER COAT
4. WEIGHT: 600 lbs
5. LOAD CAPACITY (lbs):
 GROSS: 1400
 NET: 350
6. ROHS: COMPLIANT



SPECIFICATIONS SUBJECT TO CHANGE WITHOUT NOTICE
 DIMENSIONS ARE FOR REFERENCE ONLY

**FOR INFORMATION ONLY:
 DO NOT MANUFACTURE
 PARTS TO THIS DRAWING**

EO® Edmund Optics®

THIRD ANGLE PROJECTION		TITLE	36" x 60", LOW PROFILE LAB TABLE	
ALL DIMS IN	in	DWG NO	33779	SHEET 1 OF 1