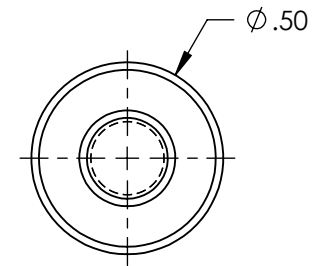
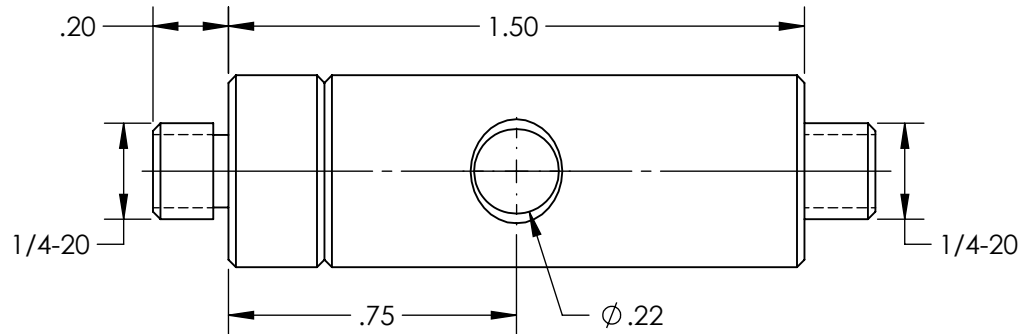
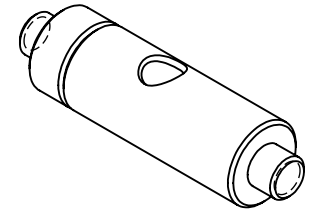


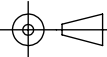
NOTES:
 1. RoHS: COMPLIANT



SPECIFICATIONS SUBJECT TO CHANGE WITHOUT NOTICE
 DIMENSIONS ARE FOR REFERENCE ONLY

**FOR INFORMATION ONLY:
 DO NOT MANUFACTURE
 PARTS TO THIS DRAWING**

EO[®] Edmund Optics[®]

THIRD ANGLE PROJECTION 		TITLE	1.5" LENGTH, 1/4-20 STUD, STEEL POST	
ALL DIMS IN	in	DWG NO	59752	SHEET 1 OF 1