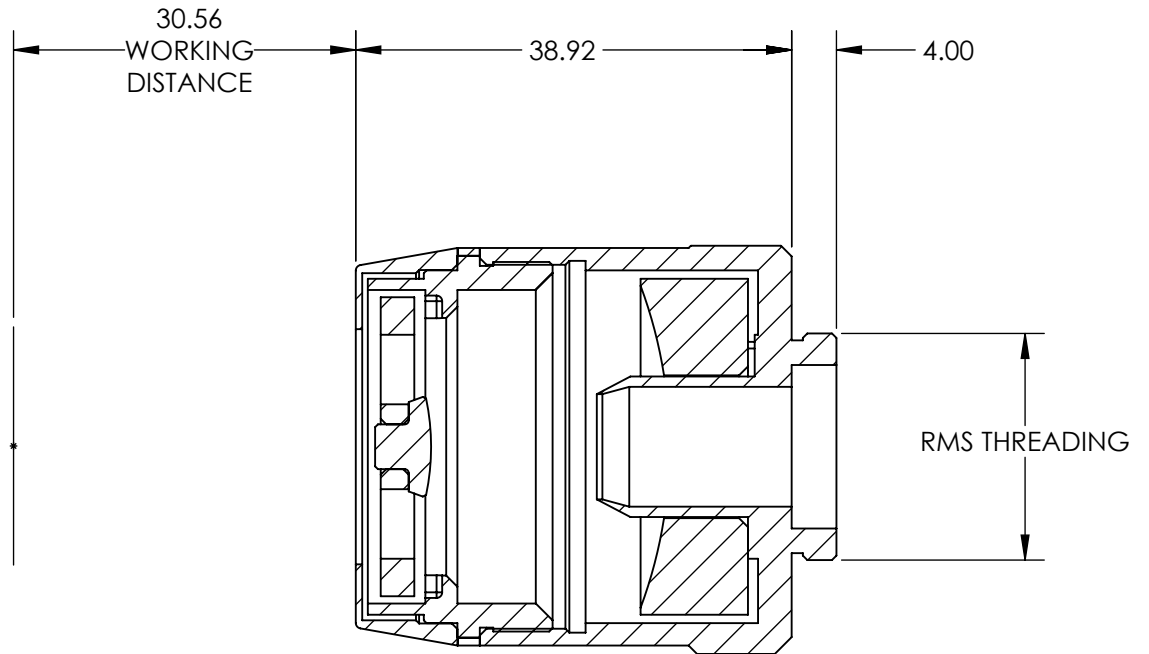
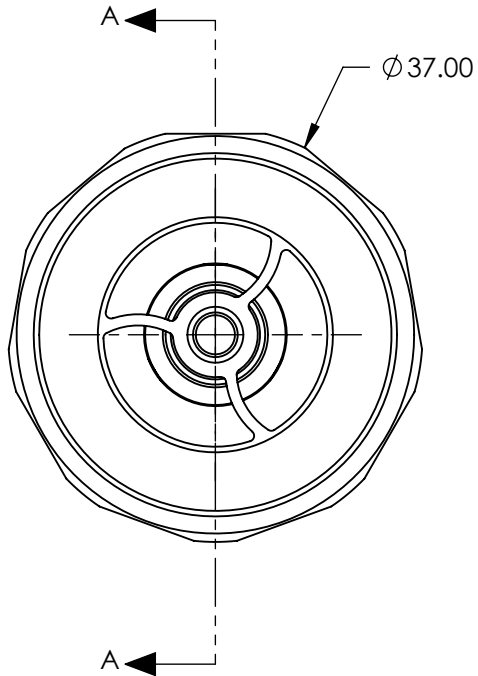


NOTES:

- COATING (APPLY ACROSS COATING APERTURE)
 DUV Enhanced Aluminum (150-11000nm)
 R(AVG) >83% @ 150 - 1000nm
 R(AVG) >94% @ 1000 - 11000nm



SECTION A-A

**FOR INFORMATION ONLY:
 DO NOT MANUFACTURE
 PARTS TO THIS DRAWING**

SPECIFICATIONS SUBJECT TO
 CHANGE WITHOUT NOTICE
 DIMENSIONS ARE FOR
 REFERENCE ONLY

EO® Edmund Optics®

THIRD ANGLE PROJECTION		TITLE	Infinite Conjugate, DUV Coated, 10X/0.23NA RefIX Objective	
ALL DIMS IN	mm	DWG NO	89722	SHEET 1 OF 1