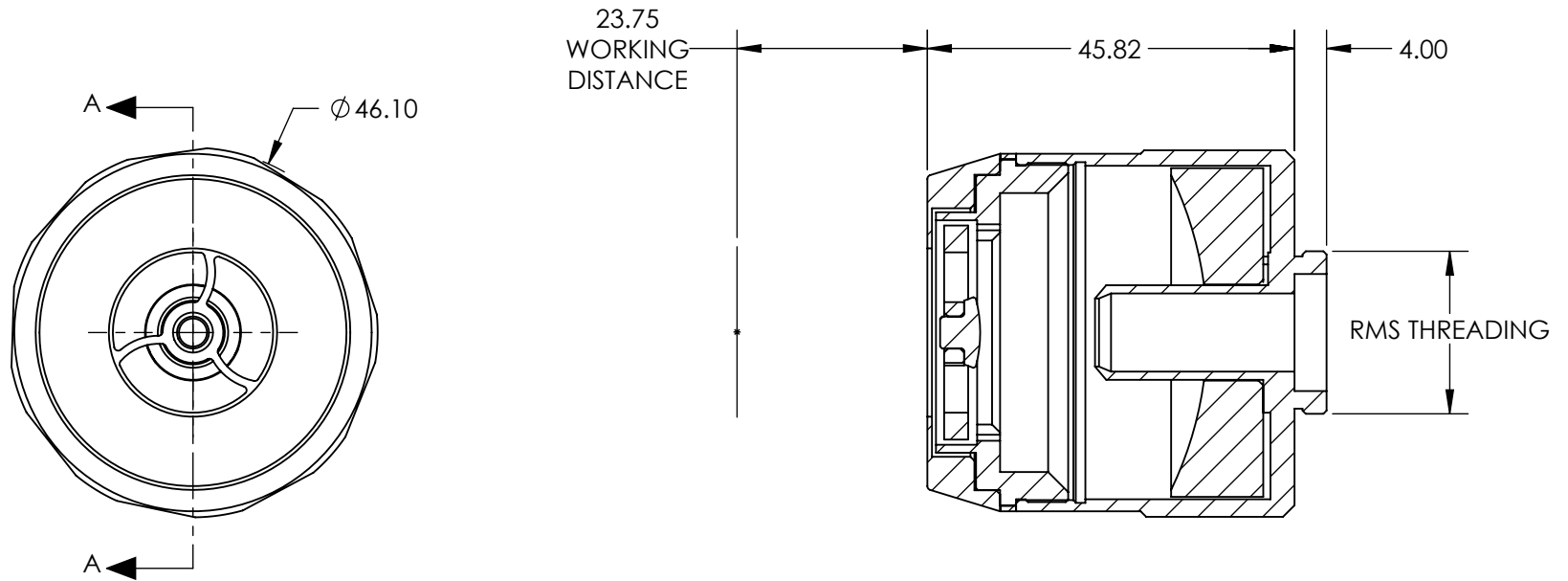


NOTES:

- COATING (APPLY ACROSS COATING APERTURE)
 Enhanced Aluminum (200-11000nm)
 R(AVG) >85% @ 200 - 700nm
 R(AVG) >76% @ 700 - 1750nm
 R(AVG) >96% @ 1750 - 11000nm



SECTION A-A

**FOR INFORMATION ONLY:
 DO NOT MANUFACTURE
 PARTS TO THIS DRAWING**

SPECIFICATIONS SUBJECT TO
 CHANGE WITHOUT NOTICE
 DIMENSIONS ARE FOR
 REFERENCE ONLY

EO® Edmund Optics®

THIRD ANGLE PROJECTION		TITLE	Infinite Conjugate, UV Coated, 15X/0.28NA RefIX Objective	
ALL DIMS IN	mm	DWG NO	58417	SHEET 1 OF 1