

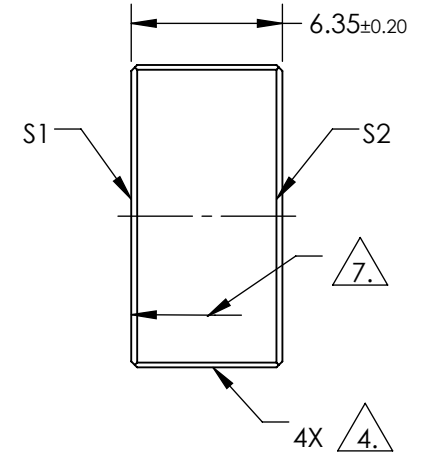
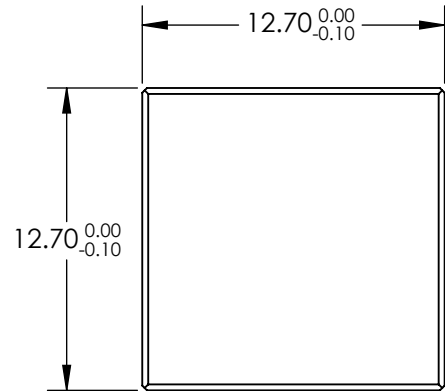
NOTES:

1. SUBSTRATE:  
Fused Silica
2. SURFACE S1 TO BE PARALLEL TO SURFACE S2 TO WITHIN <3 ARCMINS
3. COATING (APPLY ACROSS COATING APERTURE)

S1: R(ABS) >99.8% @ 1030nm  
DAMAGE THRESHOLD,  
PULSED: 15 J/cm<sup>2</sup> @ 1030nm, 20ns, 20Hz

S2: NONE

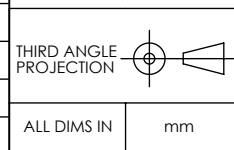
4. FINE GROUND SURFACE
5. CLEAR APERTURE AND COATING APERTURE ARE CENTERED ON SURFACE
6. POWER, IRREGULARITY, AND SURFACE QUALITY SPECIFICATIONS APPLY ACROSS CLEAR APERTURE
7. ARROW ON EDGE WITH LASER ETCH, PENCIL, OR PERMANENT INK POINTS TOWARDS SURFACE S1



**FOR INFORMATION ONLY:  
DO NOT MANUFACTURE  
PARTS TO THIS DRAWING**

SPECIFICATIONS SUBJECT TO CHANGE WITHOUT NOTICE  
DIMENSIONS ARE FOR REFERENCE ONLY

	S1	S2
SHAPE	PLANO	PLANO
SURFACE QUALITY	10-5	COMMERCIAL POLISH
SURFACE FLATNESS	0.10 WAVE	N/A
MIN CLEAR APERTURE	10.80 x 10.80	N/A
MIN COATING APERTURE	10.80 x 10.80	N/A
BEVEL	PROTECTIVE AS NEEDED	PROTECTIVE AS NEEDED



TITLE	12.7 x 12.7mm 1030nm 0-45°, Yb:YAG Laser Line Mirror
DWG NO	11311
SHEET 1 OF 1	