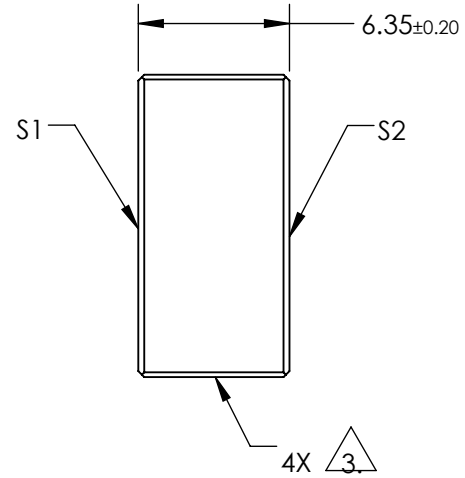
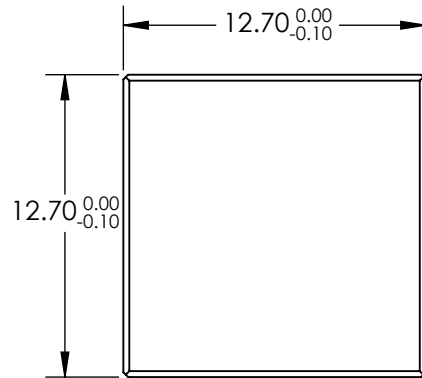


NOTES:

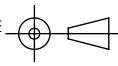
1. SUBSTRATE:
FUSED SILICA
2. COATING (APPLY ACROSS COATING APERTURE):
S1 & S2: NONE
3. FINE GRIND SURFACE
4. ROHS: COMPLIANT




**FOR INFORMATION ONLY:
DO NOT MANUFACTURE
PARTS TO THIS DRAWING**

SPECIFICATIONS SUBJECT TO CHANGE WITHOUT NOTICE
DIMENSIONS ARE FOR REFERENCE ONLY

	S1	S2
SHAPE	PLANO	PLANO
SURFACE ACCURACY AT 632.8nm (P-V)	$\lambda/10$	N/A
SURFACE QUALITY	10-5	COMMERCIAL POLISH
CLEAR APERTURE	10.80 x 10.80	N/A
BEVEL	PROTECTIVE AS NEEDED	PROTECTIVE AS NEEDED

THIRD ANGLE PROJECTION 

ALL DIMS IN mm

 **Edmund Optics®**

TITLE: 0deg 12.7mm SQ LASER MIRROR SUBSTRATE

DWG NO: 37724

SHEET 1 OF 1