

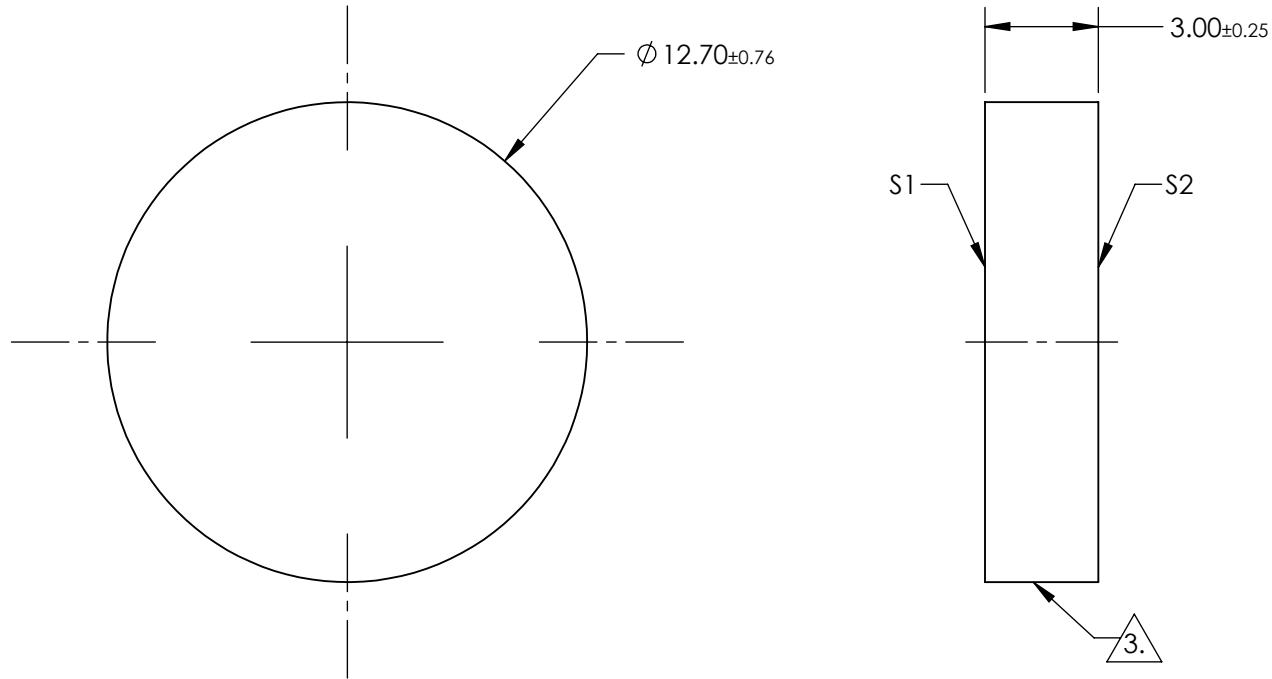
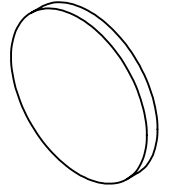
NOTES:

- 1. SUBSTRATE: FLOAT GLASS
- 2. COATING (APPLY ACROSS CLEAR APERTURE)

S1 & S2: BBAR (425-700nm)
 R(AVG) ≤0.5% @ 425 - 700nm

3. FINE GRIND SURFACE

- 4. ROHS COMPLIANT



**FOR INFORMATION ONLY:
 DO NOT MANUFACTURE
 PARTS TO THIS DRAWING**

SPECIFICATIONS SUBJECT TO CHANGE WITHOUT NOTICE
 DIMENSIONS ARE FOR REFERENCE ONLY

	S1	S2
SHAPE	PLANO	PLANO
SURFACE QUALITY	80-50	80-50
CLEAR APERTURE	$\varnothing 11.43$	$\varnothing 11.43$
BEVEL	PROTECTED AS NEEDED	PROTECTED AS NEEDED



ALL DIMS IN mm

EO® **Edmund Optics**®

TITLE	12.7mm Dia. x 3mm High Efficiency Window	
DWG NO	39283	SHEET 1 OF 1