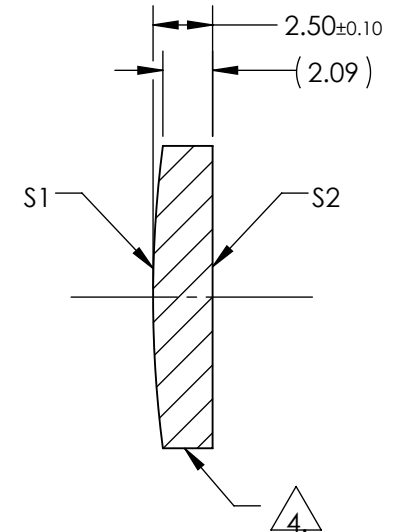
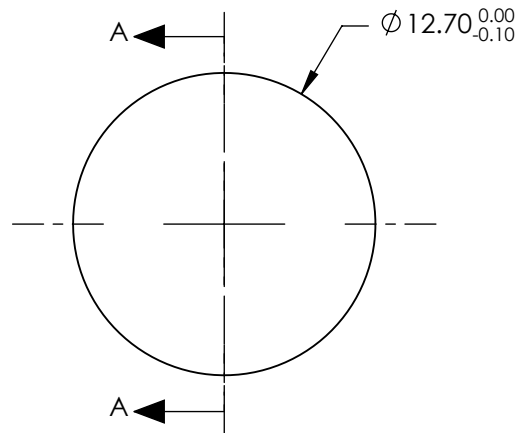


NOTES:

1. SUBSTRATE:
II-VI Infrared ZnSe
2. CENTERING TOLERANCE:
EDGE THICKNESS VARIATION MEASURED AT THE CLEAR APERTURE OF S1
NOT TO EXCEED 50.8µm
3. COATING (APPLY ACROSS COATING APERTURE)
BBAR (3000-12000nm)
S1 & S2: R(AVG) ≤3.0% @ 3 - 12µm

4. FINE GROUND SURFACE

5. POWER, IRREGULARITY, AND SURFACE QUALITY SPECIFICATIONS APPLY
ACROSS CLEAR APERTURE
6. WAVELENGTH RANGE: 600 - 16000nm
7. SURFACE ROUGHNESS: <50 Å
8. ROHS: COMPLIANT



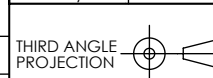
SECTION A-A

**FOR INFORMATION ONLY:
DO NOT MANUFACTURE
PARTS TO THIS DRAWING**

SPECIFICATIONS SUBJECT TO CHANGE WITHOUT NOTICE
DIMENSIONS ARE FOR REFERENCE ONLY

	S1	S2
SHAPE	CONVEX	PLANO
RADIUS	49.10	INFINITY
SURFACE QUALITY	40-20	40-20
CLEAR APERTURE	90%	90%
POWER at 10.6µm	λ/10	λ/10
IRREGULARITY at 10.6µm	λ/20	λ/20
BEVEL	PROTECTIVE AS NEEDED	PROTECTIVE AS NEEDED

EFL (AT 10.6 microns)	35.00
BFL (AT 10.6 microns)	33.96



ALL DIMS IN mm



TITLE	12.7mm Dia. x 35mm FL, 3-12µm BBAR Coated, ZnSe Plano-Convex Lens
DWG NO	11421
SHEET	1 OF 1