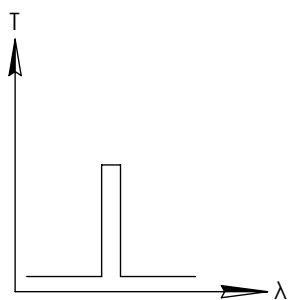
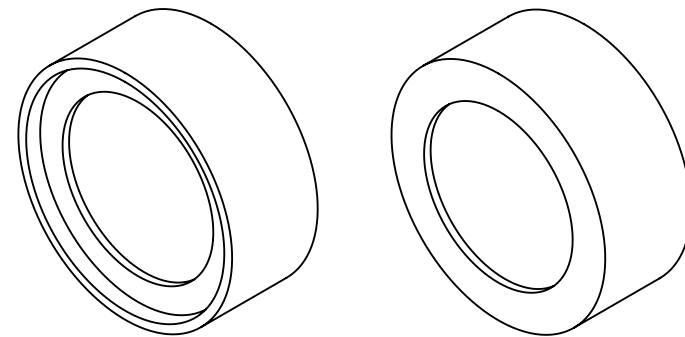
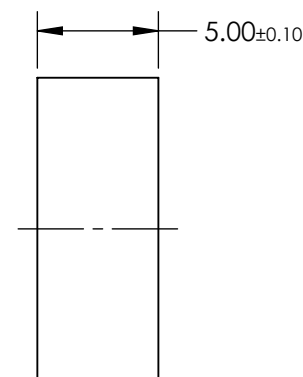
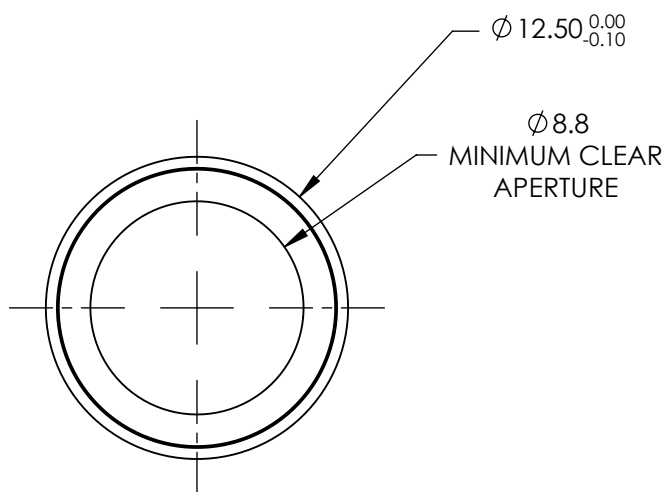


**FOR INFORMATION ONLY:
DO NOT MANUFACTURE
PARTS TO THIS DRAWING**



BANDPASS FILTER



REV. 001	VALUE
CENTER WAVELENGTH (CWL)	1450nm \pm 2nm
FULL WIDTH HALF MAX (FWHM)	10.0 \pm 2nm
MINIMUM TRANSMISSION	\geq 85%
BLOCKING	400 - 1800nm
SURFACE QUALITY	80-50
CONSTRUCTION	MOUNTED IN BLACK ANODIZED ALUMINUM RING
COATING TYPE	Hard Coated
DURABILITY	MIL-C-48497a, SEC 3.4.1
ENVIRONMENTAL	MIL-STD-810F, SEC 507.4

SPECIFICATIONS SUBJECT TO CHANGE WITHOUT NOTICE
DIMENSIONS ARE FOR REFERENCE ONLY



ALL DIMS IN

mm

TITLE

Filter BP 1450 x 10nm OD4 12.5mm

DWG NO

39311

SHEET
1 OF 1