

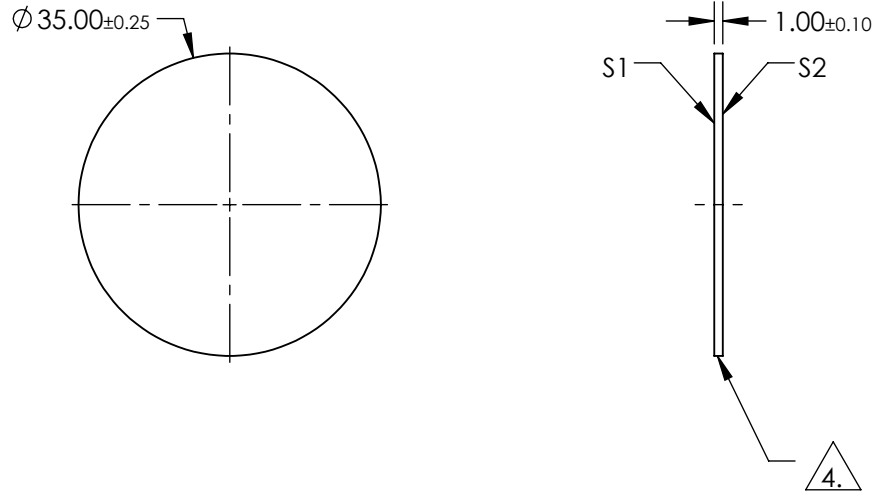
NOTES:

1. SUBSTRATE: Sapphire (Al₂O₃)
2. SURFACE S2 TO BE PARALLEL TO SURFACE S1 TO WITHIN ≤3.5 ARCMIN
3. COATING (APPLY ACROSS COATING APERTURE):

S1 & S2: R(ABS) ≤1.5% @ 750 - 800nm
 R(ABS) ≤1.0% @ 800 - 1550nm
 R(AVG) ≤0.7% @ 750 - 1550nm

4. GRIND SURFACE

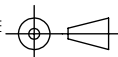
5. RoHS: COMPLIANT




**FOR INFORMATION ONLY:
 DO NOT MANUFACTURE
 PARTS TO THIS DRAWING**

SPECIFICATIONS SUBJECT TO CHANGE WITHOUT NOTICE
 DIMENSIONS ARE FOR REFERENCE ONLY

	S1	S2
SHAPE	PLANO	PLANO
SURFACE QUALITY	80-50	80-50
SURFACE FLATNESS @ 632.8nm	2λ	2λ
SURFACE ROUGHNESS (μm/in)	0.1	0.1
BIREFRINGENCE	0.008	0.008
CLEAR APERTURE	Ø31.50	Ø31.50
BEVEL	PROTECTIVE AS NEEDED	PROTECTIVE AS NEEDED

THIRD ANGLE PROJECTION 

ALL DIMS IN mm

 **Edmund Optics®**

TITLE: 35mm Diameter, NIR II AR Coated Sapphire Window

DWG NO: 39267

SHEET 1 OF 1