

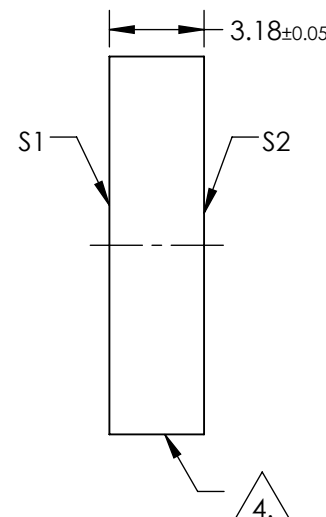
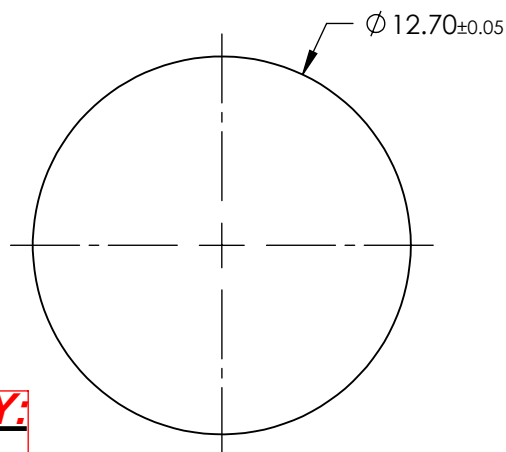
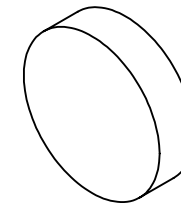
NOTES:

1. SUBSTRATE: OPTICAL GRADE SAPPHIRE (Al₂O₃)
2. SURFACE S2 TO BE PARALLEL TO SURFACE S1 TO WITHIN <3.5 ARCMIN
3. COATING (APPLY ACROSS COATING APERTURE):

S1 & S2: R(AVG) ≤ 0.5% from 600 - 1050nm

4. GRIND SURFACE

5. RoHS: COMPLIANT



**FOR INFORMATION ONLY:
DO NOT MANUFACTURE
PARTS TO THIS DRAWING**

SPECIFICATIONS SUBJECT TO CHANGE WITHOUT NOTICE
DIMENSIONS ARE FOR REFERENCE ONLY

	S1	S2
SHAPE	PLANO	PLANO
SURFACE QUALITY	80-50	80-50
SURFACE FLATNESS @ 632.8nm	2λ	2λ
SURFACE ROUGHNESS (μm/in)	0.1	0.1
BIREFRINGENCE	0.008	0.008
CLEAR APERTURE	Ø11.43	Ø11.43
BEVEL	PROTECTIVE AS NEEDED	PROTECTIVE AS NEEDED

EO® Edmund Optics®



ALL DIMS IN mm

TITLE

Window Saph 12.7 Dia NIR I Ctd

DWG NO

39253

SHEET 1 OF 1