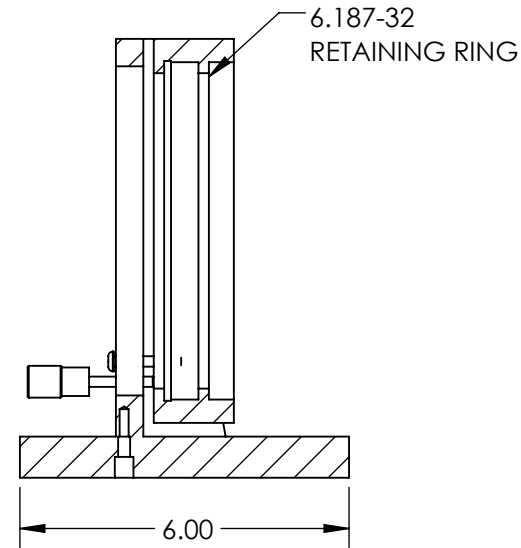
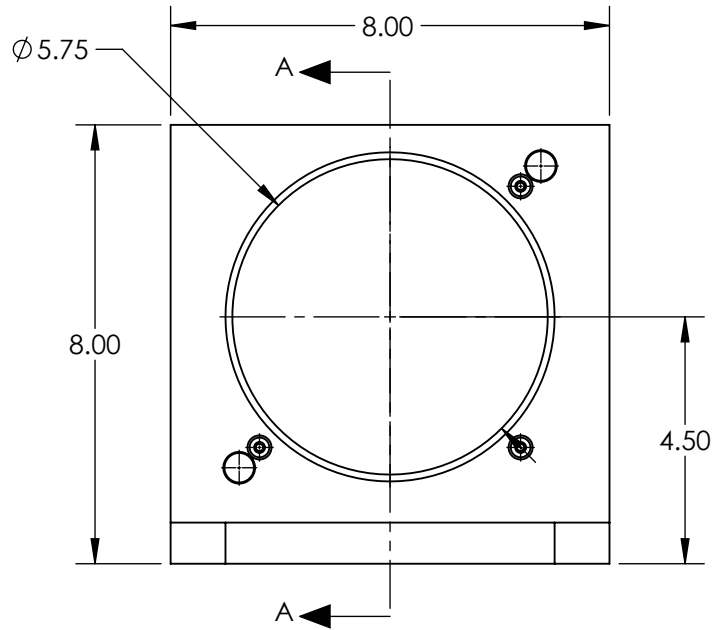
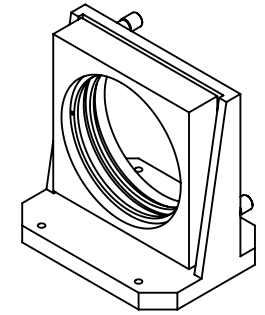
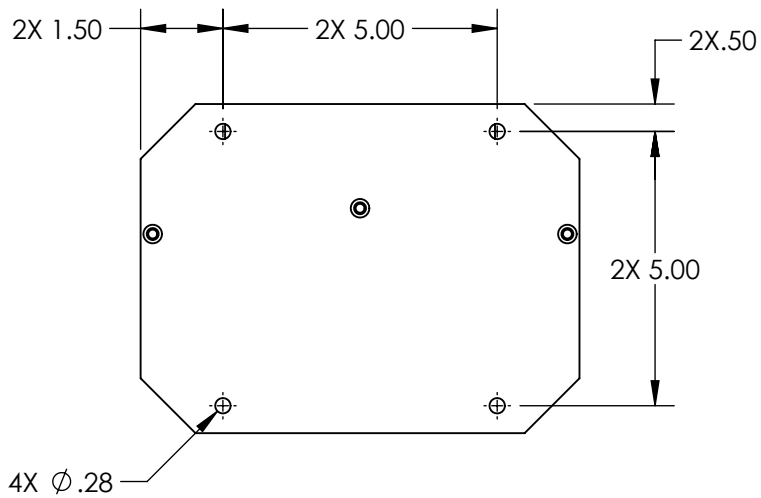


NOTES:

1. MATERIAL: BLACK ANODIZED ALUMINUM AND STAINLESS STEEL
2. DIMENSIONS OF COMPATIBLE OPTICS:  
 DIAMETER: 6in  
 THICKNESS: <1in
3. RoHS: COMPLIANT



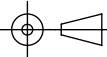
SECTION A-A



**FOR INFORMATION ONLY:  
 DO NOT MANUFACTURE  
 PARTS TO THIS DRAWING**

SPECIFICATIONS SUBJECT TO CHANGE WITHOUT NOTICE  
 DIMENSIONS ARE FOR REFERENCE ONLY

**EO**® Edmund Optics®

THIRD ANGLE PROJECTION 		TITLE	6.00" DIAMETER, OPTICAL MOUNT MEDIUM	
ALL DIMS IN	in	DWG NO	36474	SHEET 1 OF 1