

NOTES:

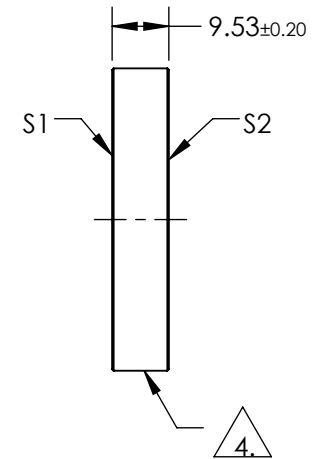
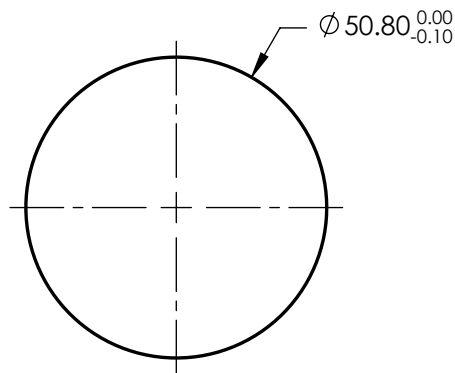
1. SUBSTRATE:
FUSED SILICA
2. S2 TO BE PARALLEL TO S1 TO WITHIN <3ARCMIN
3. COATING (APPLY ACROSS COATING APERTURE)
S1: BROADBAND
R(AVG) >98% from 400 - 750nm @ 0 - 45 deg AOI For All Polarizations
R(AVG) >99% from 400-750nm @ 0 - 45 deg AOI For S-Polarization

DAMAGE THRESHOLD,
PULSED: 0.5J/cm², 20ns , 20Hz @ 532nm

S2: NONE

4. FINE GROUND SURFACE

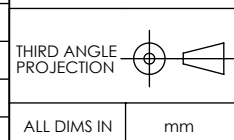
5. CLEAR APERTURE AND COATING APERTURE ARE CENTERED ON SURFACE
6. SURFACE QUALITY SPECIFICATIONS APPLY ACROSS CLEAR APERTURE
7. ROHS: COMPLIANT



**FOR INFORMATION ONLY:
DO NOT MANUFACTURE
PARTS TO THIS DRAWING**

SPECIFICATIONS SUBJECT TO CHANGE WITHOUT NOTICE
DIMENSIONS ARE FOR REFERENCE ONLY

	S1	S2
SHAPE	PLANO	PLANO
SURFACE QUALITY	20-10	COMMERCIAL POLISH
SURFACE FLATNESS	0.10 WAVE	N/A
CLEAR APERTURE	Ø45.72	N/A
COATING APERTURE	Ø49.80	N/A
BEVEL	PROTECTIVE AS NEEDED	PROTECTIVE AS NEEDED



EO® **Edmund Optics**®

TITLE	MIRROR BROADBAND 400-750nm 50.8mm DIA		
DWG NO	39226	SHEET	1 OF 1