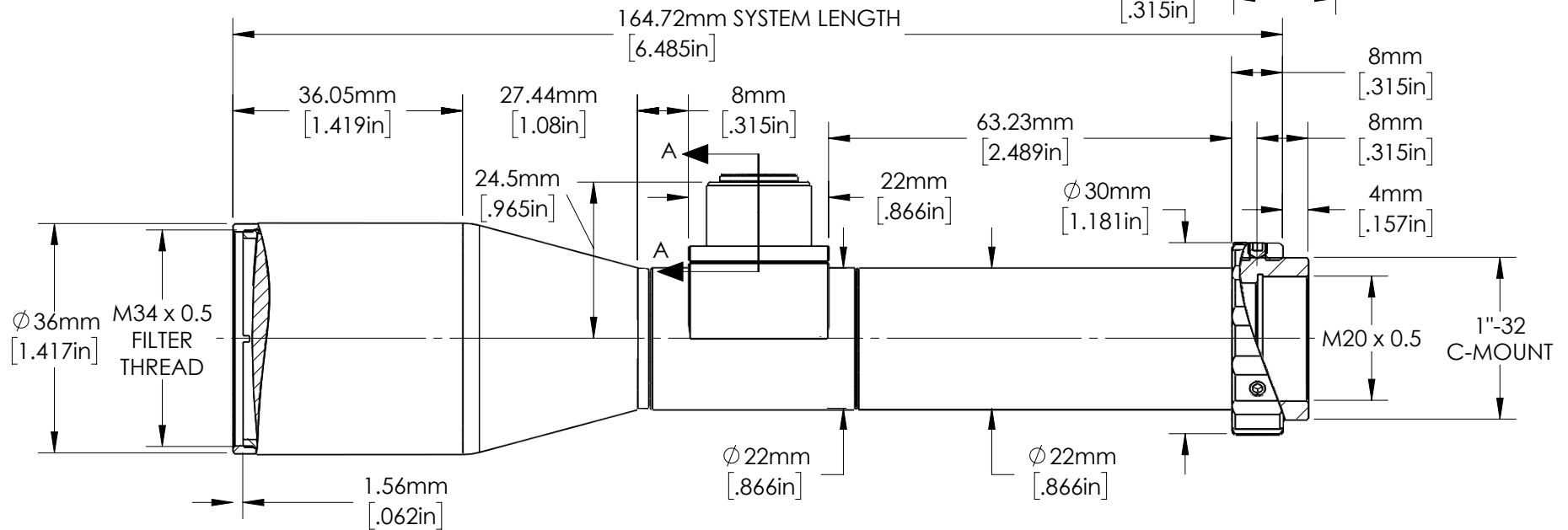
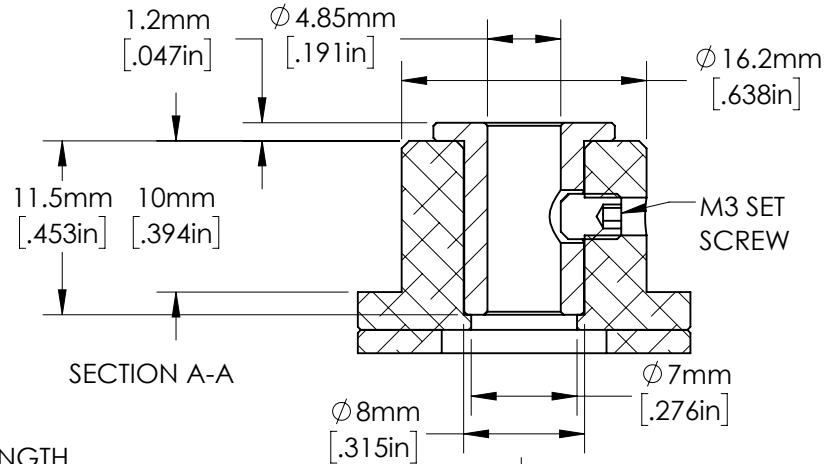


**FOR INFORMATION ONLY:
DO NOT MANUFACTURE
PARTS TO THIS DRAWING**



SPECIFICATIONS SUBJECT TO CHANGE WITHOUT NOTICE
DIMENSIONS ARE FOR REFERENCE ONLY
DIMENSIONS ARE IN mm [INCHES]

FOV RANGE ON 2/3" SENSOR	8.8mm
FOV RANGE ON 1/2" SENSOR	6.4mm
FOV RANGE ON 1/3" SENSOR	4.8mm
WORKING DISTANCE	220±2mm
TELECENTRICITY	<0.03°
DISTORTION	<0.03%
APERTURE (f/#)	f11

Edmund Optics®

TITLE 1X, 220mm WD, In-Line Compact Telecentric Lens

DWG NO 33110

SHEET 1 OF 1