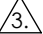
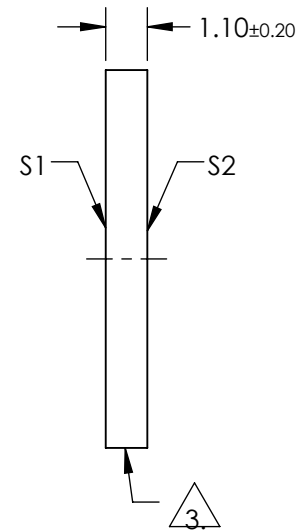
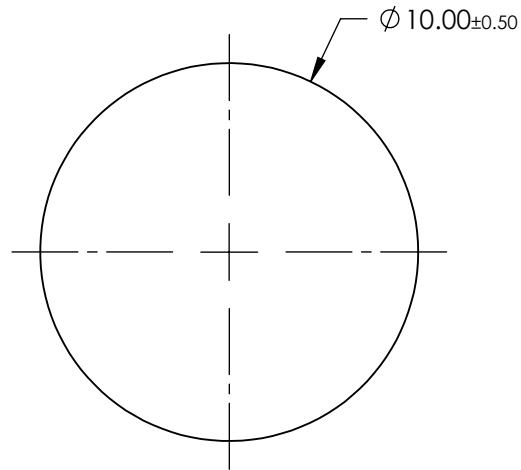


NOTES:

1. SUBSTRATE:
BOROFLOAT®
2. COATING (APPLY ACROSS COATING APERTURE):
S1 & S2: NONE
3.  FINE GRIND SURFACE
4. ROHS: COMPLIANT

**FOR INFORMATION ONLY:
DO NOT MANUFACTURE
PARTS TO THIS DRAWING**



SPECIFICATIONS SUBJECT TO CHANGE WITHOUT NOTICE
DIMENSIONS ARE FOR REFERENCE ONLY

	S1	S2
SHAPE	PLANO	PLANO
CLEAR APERTURE	Ø9.00	Ø9.00
SURFACE QUALITY	80-50	80-50
SURFACE FLATNESS	4-6 WAVES	4-6 WAVES
BEVEL	PROTECTIVE AS NEEDED	PROTECTIVE AS NEEDED

THIRD ANGLE PROJECTION 

ALL DIMS IN

mm

 **Edmund Optics®**

TITLE

Ø10mm UNCOATED BOROFLOAT WINDOW

DWG NO

39271

SHEET
1 OF 1