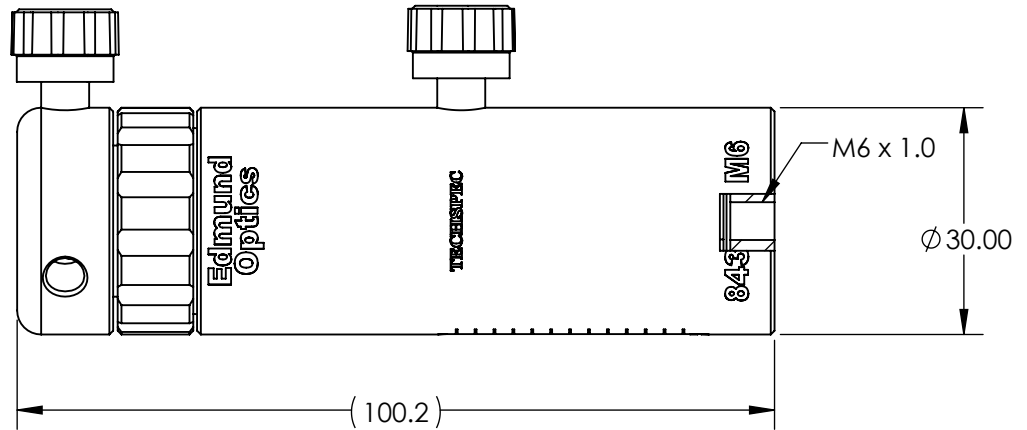
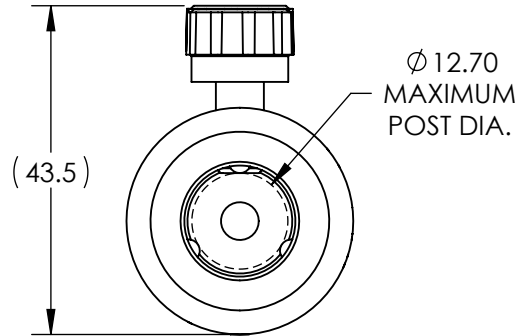


NOTES:

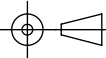
1. TRAVEL DISTANCE: 30mm
2. RoHS: NON-COMPLIANT



SPECIFICATIONS SUBJECT TO CHANGE WITHOUT NOTICE  
 DIMENSIONS ARE FOR REFERENCE ONLY

**FOR INFORMATION ONLY:  
 DO NOT MANUFACTURE  
 PARTS TO THIS DRAWING**

**EO**® Edmund Optics®

THIRD ANGLE PROJECTION 		TITLE	101.6mm LENGTH, M6 THREAD, ADJUSTABLE POST HOLDER	
ALL DIMS IN	mm	DWG NO	84354	SHEET 1 OF 1