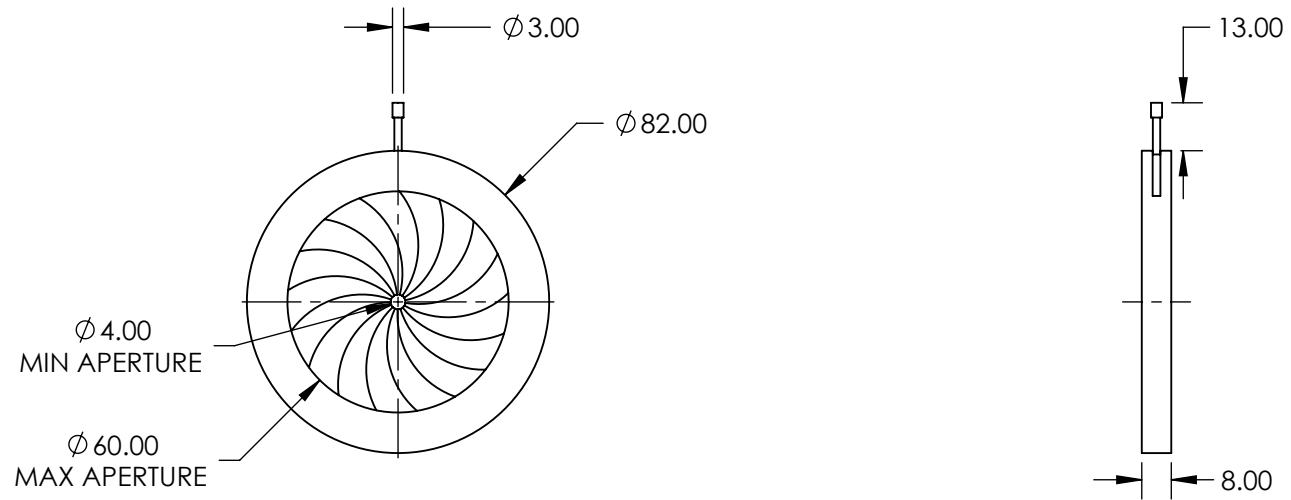


NOTES:

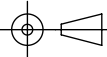
1. CONSTRUCTION:  
Anodized Aluminum Alloy, Burnished Spring Steel Leaves
2. NUMBER OF LEAVES: 17
3. OPERATING TEMPERATURE (°C): <250
4. ROHS: COMPLIANT



SPECIFICATIONS SUBJECT TO CHANGE WITHOUT NOTICE  
DIMENSIONS ARE FOR REFERENCE ONLY

**FOR INFORMATION ONLY:  
DO NOT MANUFACTURE  
PARTS TO THIS DRAWING**

**EO**® Edmund Optics®

THIRD ANGLE PROJECTION 		TITLE	82mm Outer Dia., Burnished Steel Leaves Iris Diaphragm	
ALL DIMS IN	mm	DWG NO	57585	SHEET 1 OF 1