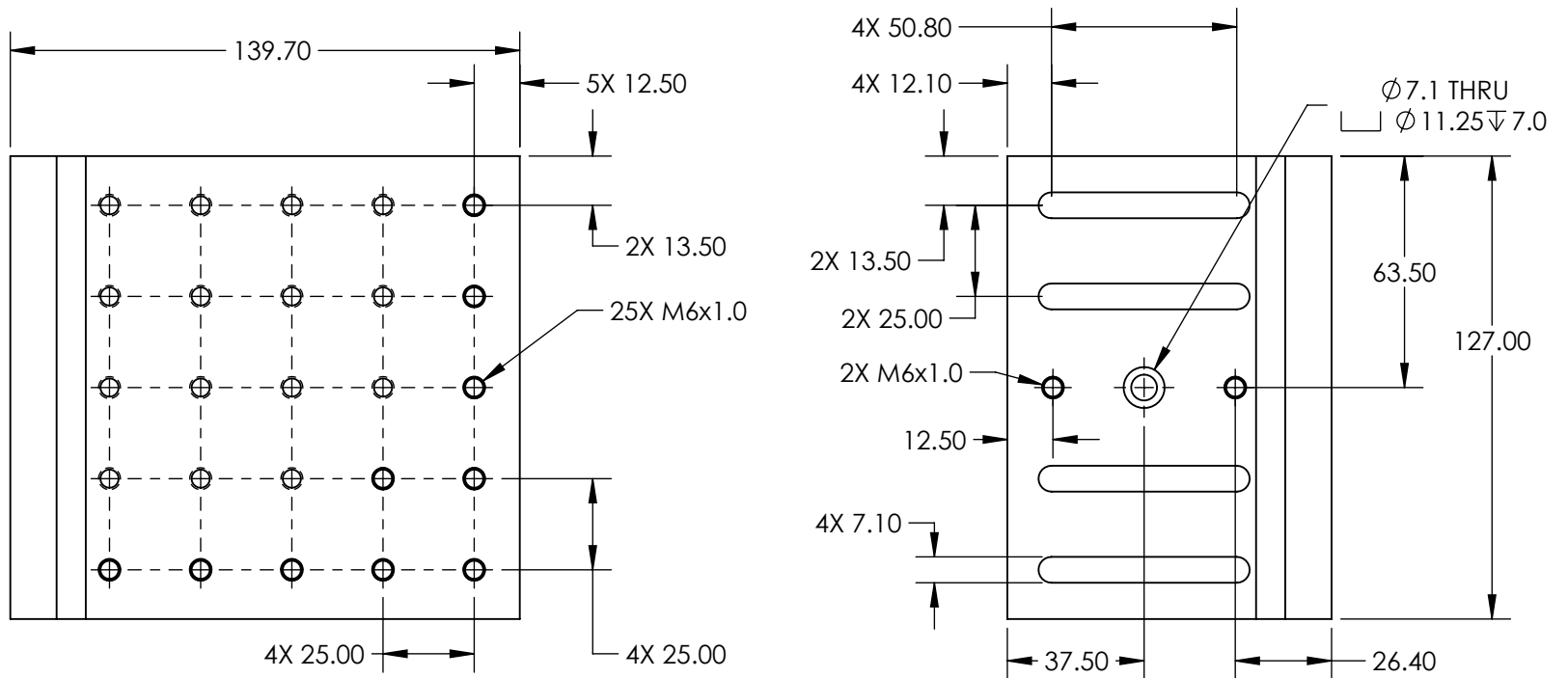


NOTES:

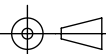
1. MATERIAL: BLACK ANODIZED ALUMINUM
2. RoHS: COMPLIANT



SPECIFICATIONS SUBJECT TO CHANGE WITHOUT NOTICE
 DIMENSIONS ARE FOR REFERENCE ONLY

**FOR INFORMATION ONLY:
 DO NOT MANUFACTURE
 PARTS TO THIS DRAWING**

EO® Edmund Optics®

THIRD ANGLE PROJECTION 		TITLE	METRIC TYPE, LARGE SIZE, RIGHT ANGLE BRACKET	
ALL DIMS IN	in	DWG NO	55380	SHEET 1 OF 1