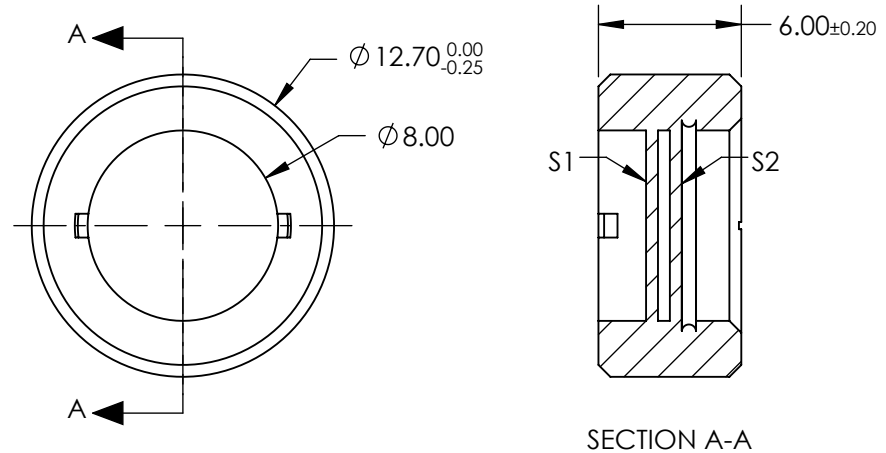


NOTES:

1. SUBSTRATE:
Crystal Quartz and MgF2
2. COATING (APPLY ACROSS COATING APERTURE):
S1 & S2: R(AVG) <0.75% @ 900 - 2100nm

DAMAGE THRESHOLD,
PULSED: >5 J/cm², 10ns @ 10Hz @ 1064nm
3. SURFACE S1 TO BE PARALLEL TO SURFACE S2 TO WITHIN <10 ARCSEC
4. RETARDANCE: $\lambda/2 \pm \lambda/100$ @ 20°C
5. DESIGN WAVELENGTH: 900 - 2100 nm
6. TRANSMITTED WAVEFRONT: < $\lambda/4$ @ 632nm
7. CONSTRUCTION: Crystalline
8. ROHS: COMPLIANT



**FOR INFORMATION ONLY:
DO NOT MANUFACTURE
PARTS TO THIS DRAWING**

SPECIFICATIONS SUBJECT TO CHANGE WITHOUT NOTICE
DIMENSIONS ARE FOR REFERENCE ONLY

EO® Edmund Optics®

	S1	S2	THIRD ANGLE PROJECTION	TITLE	12.7mm Dia, 900 - 2100nm, $\lambda/2$ Achromatic Waveplate	
SURFACE QUALITY	40-20	40-20		DWG NO	39049	SHEET 1 OF 1
CLEAR APERTURE	> Ø8	> Ø8	ALL DIMS IN mm			